

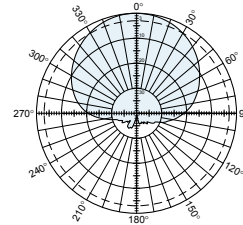
Kathrein wideband X-polarized antennas are designed for use in PCS, WCS, Wi-Fi, and WiMAX polarization diversity systems.

- X-polarized (+45° and -45°).
- UV resistant pulltruded radomes.
- Wideband vector dipole technology.
- DC Grounded metallic parts for impulse suppression.

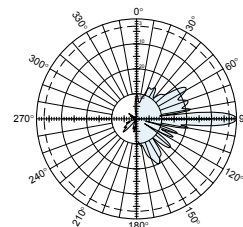
General specifications:

Frequency range	1710–2690 MHz
VSWR	<1.5:1
Impedance	50 ohms
Intermodulation (2x20w)	IM3: <-150dBc
Polarization	+45° and -45°
Connector	2 x 7-16 DIN female
Isolation	>30 dB
Maximum input power	300 watts per input
Weight	17.6 lb (8 kg)
Dimensions	55.1 x 6.1 x 2.7 inches (1400 x 155 x 69 mm)
Wind load	at 93 mph (150kph)
Front/Side/Rear	86 lbf (380 N) / 27 lbf (120 N) / 95 lbf (420 N)
Wind survival rating*	120 mph (200 kph)
Shipping dimensions	66.3 x 6.8 x 3.6 inches (1685 x 172 x 92 mm)
Shipping weight	20.7 lb (9.4 kg)
Mounting	Fixed and tilt mount options are available for 2 to 4.6 inch (50 to 115 mm) OD masts.

See reverse for order information.



Horizontal pattern
±45°- polarization



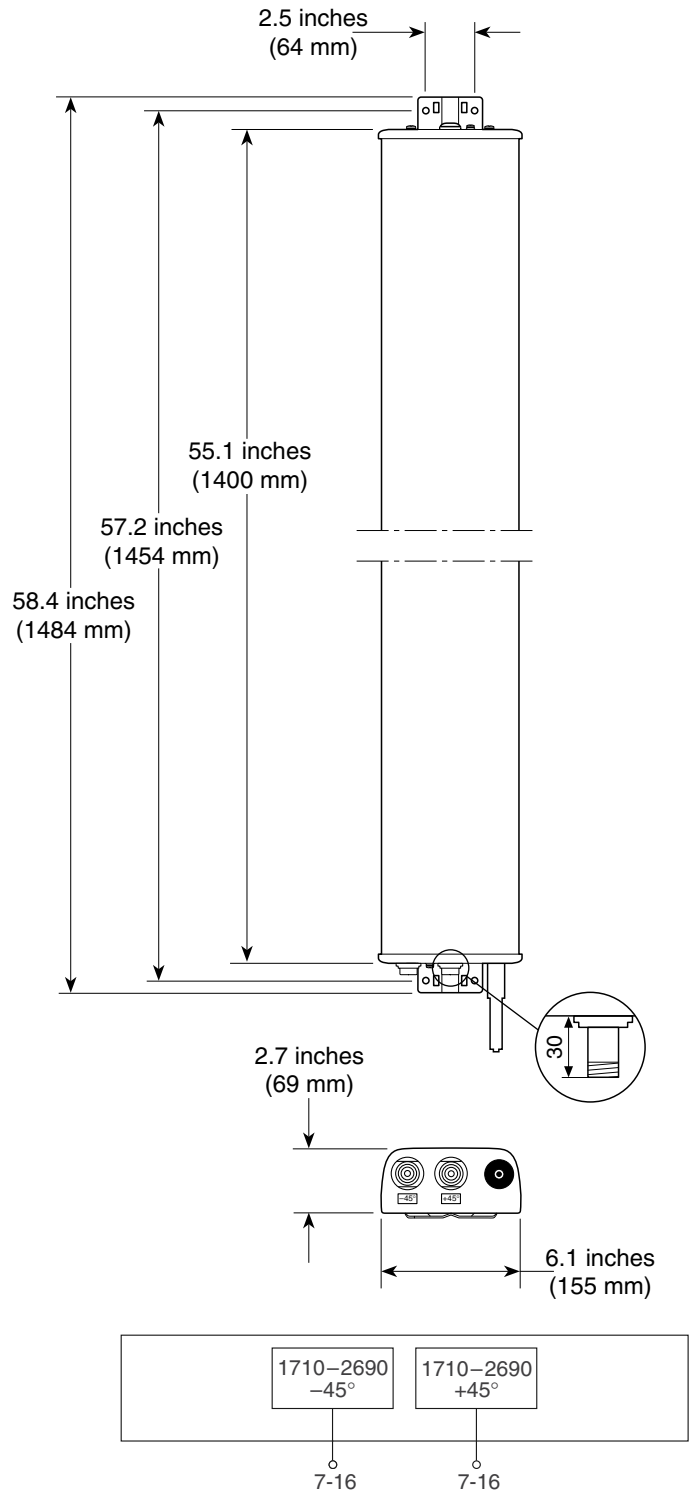
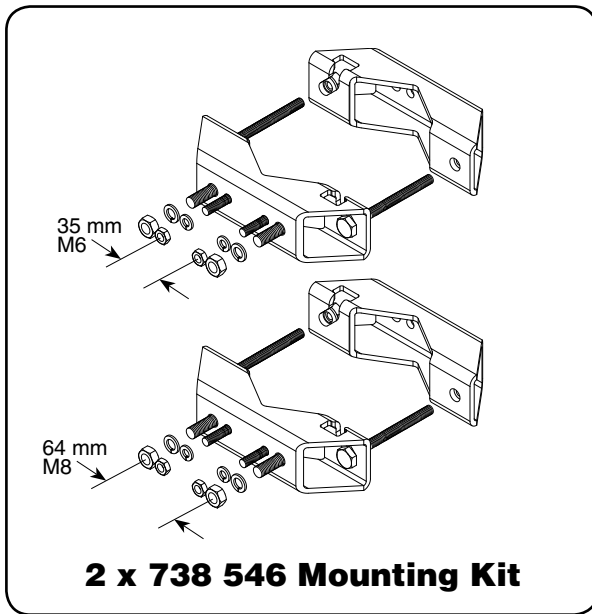
Vertical pattern
±45°- polarization
0–12° electrical downtilt



Specifications:	1710–1990 MHz			1920–2200 MHz			2200–2490 MHz			2490–2690 MHz		
	0°	6°	12° T	0°	6°	12° T	0°	6°	12° T	0°	6°	12° T
Gain	17.4	17.4	17.3 dBi	18.2	18	17.9 dBi	18.2	18.1	17.7 dBi	18.3	18	17.6 dBi
Front-to-back ratio (copolar)	>25 dB			>25 dB			>25 dB			>25 dB		
+45° and -45° polarization horizontal beamwidth	68° (half-power)			64° (half-power)			61° (half-power)			60° (half-power)		
+45° and -45° polarization vertical beamwidth	7.1° (half-power)			6.5° (half-power)			5.9° (half-power)			5.7° (half-power)		
Electrical downtilt continuously adjustable	0°–12° (manual or optional remote control)			0°–12°			0°–12°			0°–12°		
Sidelobe suppression	0°	6°	12° T	0°	6°	12° T	0°	6°	12°	0°	6°	12° T
first sidelobe above main beam	≥18	18	18 dB	≥18	18	18 dB	≥18	17	17 dB	≥18	18	16 dB
within 0°–20° sector above horizon	≥17	17	16 dB	≥17	17	16 dB	≥16	18	17 dB	≥15	15	14 dB
Cross polar ratio												
Main direction	0°	25 dB (typical)		0°	25 dB (typical)		0°	25 dB (typical)		0°	25 dB (typical)	
Sector	±60°	>10 dB		±60°	>10 dB		±60°	>10 dB		±60°	>10 dB	



* Mechanical design is based on environmental conditions as stipulated in EIA-222-G (April 2007) and/or ETS 300 019-1-4 which include the static mechanical load imposed on an antenna by wind at maximum velocity. See the Engineering Section of the catalog for further details.



Mounting Options:

Model	Description
2 x 738 546	Mounting Kit for 2 to 5.7 inch (50 to 145 mm) OD mast.
850 10013	Tilt Kit for use with the above mounting kits, 0-15 degrees downtilt angle.

Order Information:

Model	Description
800 10621	Antenna with 2 x 7-16 DIN connectors

All specifications are subject to change without notice. The latest specifications are available at www.kathrein-scala.com.