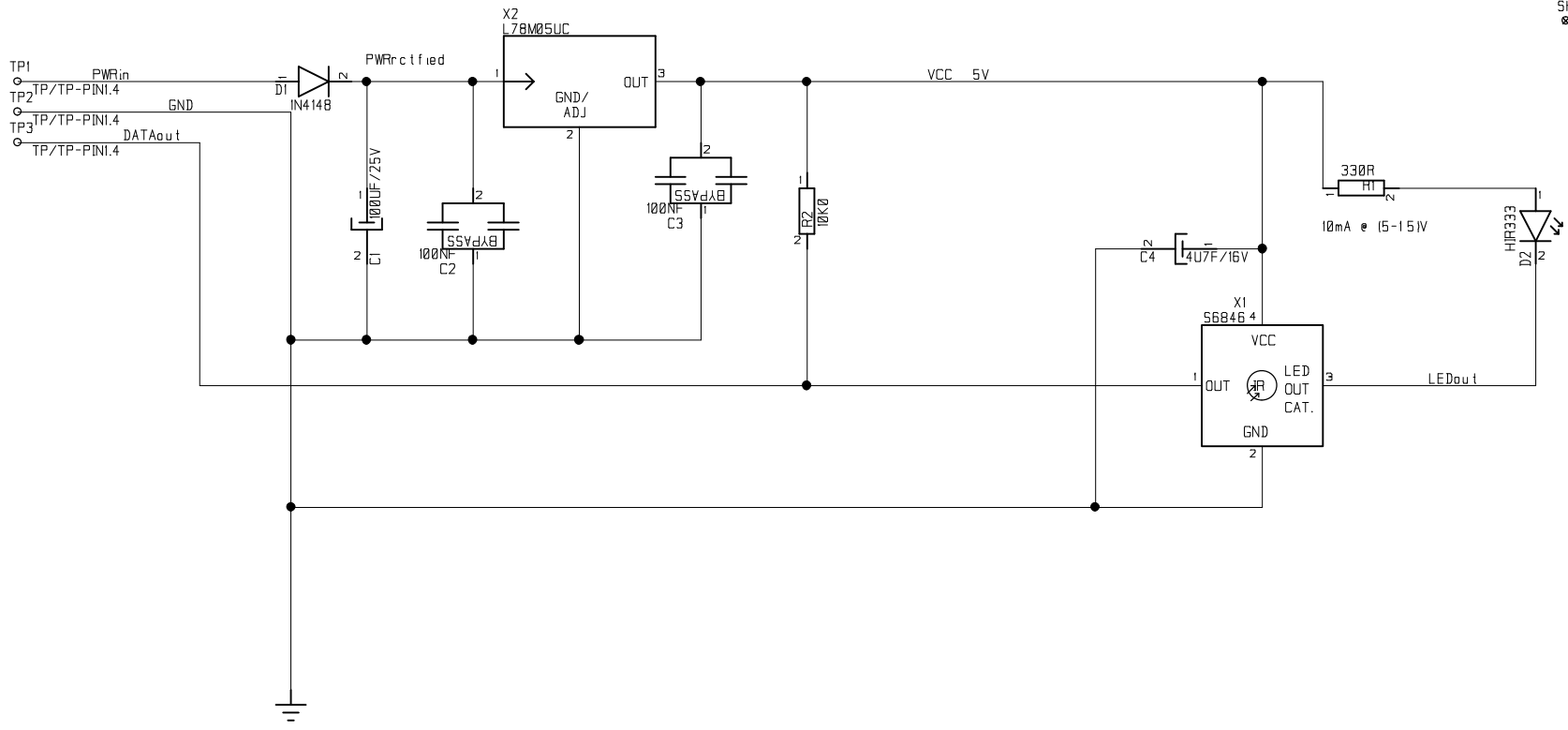


SH1  
 TP/SH-3.0mm



PROJECT:	IR_TXRX
DRAWING:	EXTREFLCT
T.Ø. Jan-09	UNIVERSITY OF OSLO Dept of Physics
09-01-14-13.50	(c) copyright. All rights reserved.