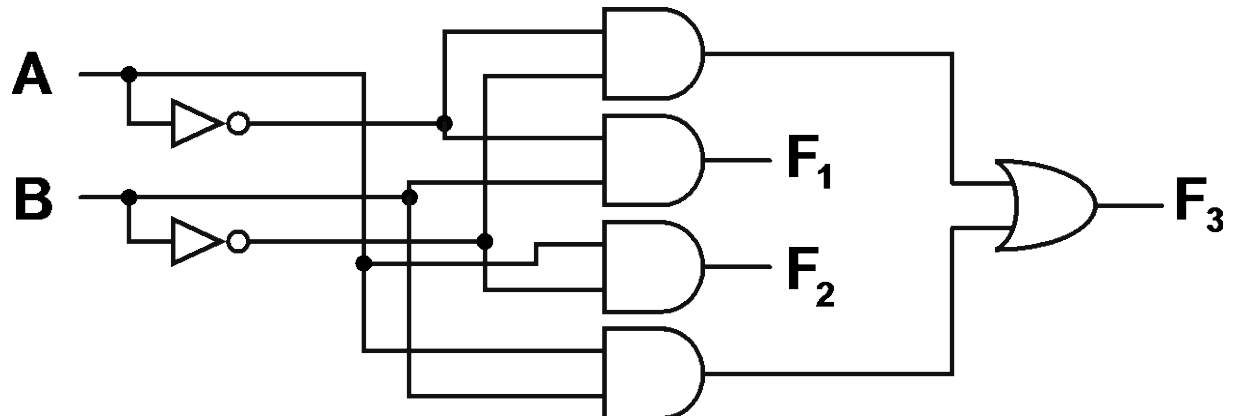


Compulsory assignment 3 IN1020

Omid Mirmotahari and Yngvar Berg



What are the functions (F1, F2 and F3) of the circuit in the figure above? Can you recommend a simplification that contributes to fewer ports.

Your answer is provided in DEVILRY as a .pdf file with a reason and a description of your procedure. You should also provide a truth value table for all the outputs.

HINT! What do you see if you compare the truth value tables?

Good luck.