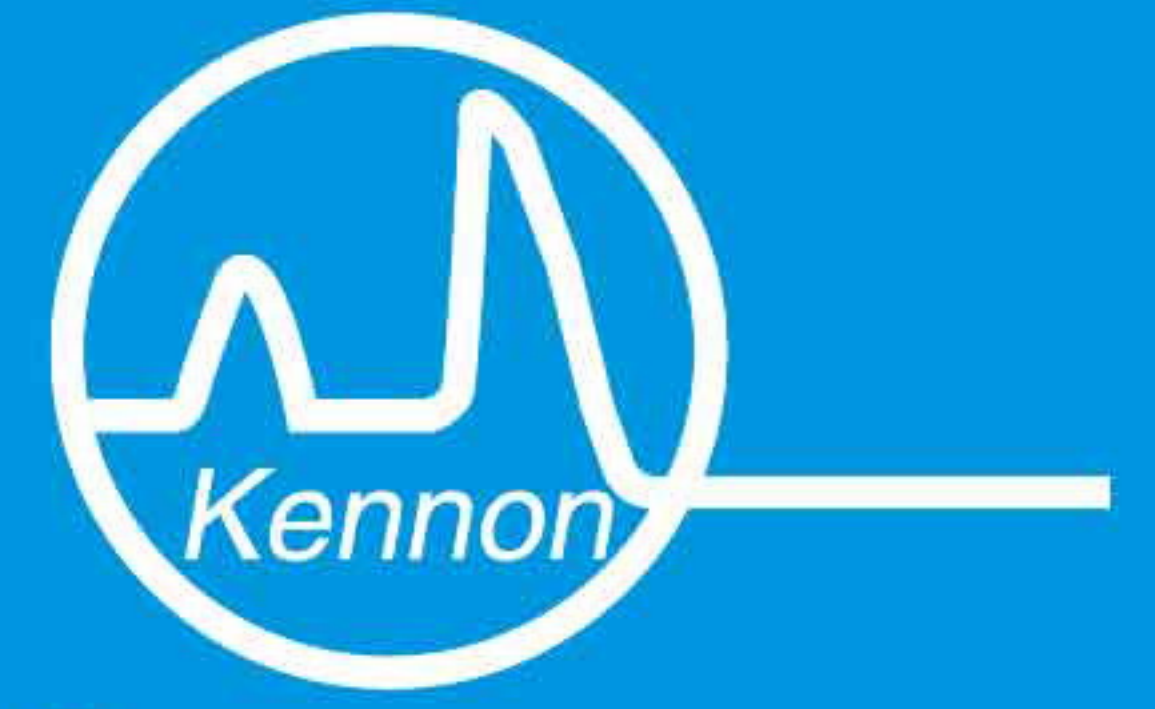


# TRIMMER POTENTIOMETER



CA9

## CA9 9mm Carbon Potentiometer



### 特点

- 长寿命, 低成本。
- 优良的防尘结构 没有任何开口部分。
- 力矩小。
- 阻值线性多样化。
- 旋转50%处有定位或整个旋转行程带定位。
- 品种规格多 适用性强

### FEATURES

- Carbon resistive element.
- Dust proof enclosure.
- Polyester substrate.
- Also upon request:
  - ◇ Wiper positioned at 50% or fully clockwise.
  - ◇ Supplied in magazines for automatic insertion.
  - ◇ Long life model CA-9...E(10000 cycles)
  - ◇ Housing available in self extinguishable plastic (UL94V0)

### 机械性能

#### MECHANICAL SPECIFICATIONS

- 机械 —Mechanical
  - 旋转角度 rotation angle:  $240^{\circ} \pm 5^{\circ}$
- 电气 —Electrical
  - 旋转角度 rotation angle:  $220^{\circ} \pm 20^{\circ}$
- 旋转力矩 —Torque:  $< 2\text{Ncm}$ .
- 止档强度 —Stop torque:  $5\text{Ncm}$

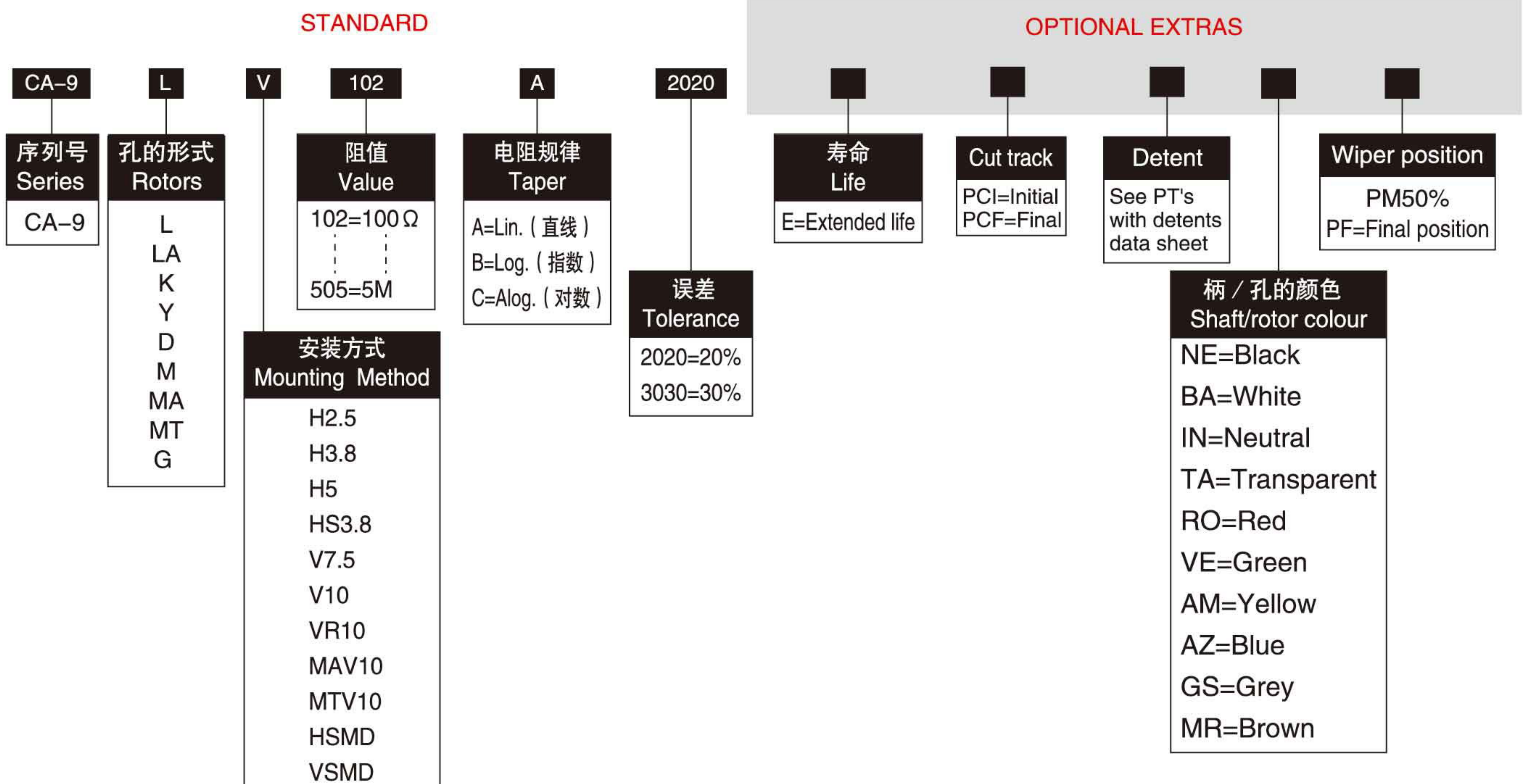
### 电器性能

#### ELECTRICAL SPECIFICATIONS

- 阻值范围 Range of values:  $100\Omega \leq R_n \leq 5\text{M}$
- 阻值误差 —Tolerance:  $100\Omega \leq R_n \leq 1\text{M}$  ---  $\pm 20\%$   
 $1\text{M} \leq R_n \leq 5\text{M}$  ---  $\pm 30\%$
- 耐电压 —Max. Voltage:  $200\text{VDC}(\text{lin}), 150\text{VDC}(\text{no lin})$
- 额定功率 —Nominal Power  $40^{\circ}\text{C}$   $0.15\text{W}(\text{lin}) 0.10\text{W}(\text{no lin})$
- 线性 —Taper: Lin(A); Log(B); Antilog(C)
- 残留电阻 —Residual resistance: Lin, Log, Antilog  $\leq 5 \times 10^{-3} R_n$
- 平滑行 —Equivalent Noise Resistance:  $\leq 3\% R_n$
- 环境温度 —Operating Temperature:  $-25^{\circ}\text{C} + 70^{\circ}\text{C}$

### 型号命名

#### HOW TO ORDER



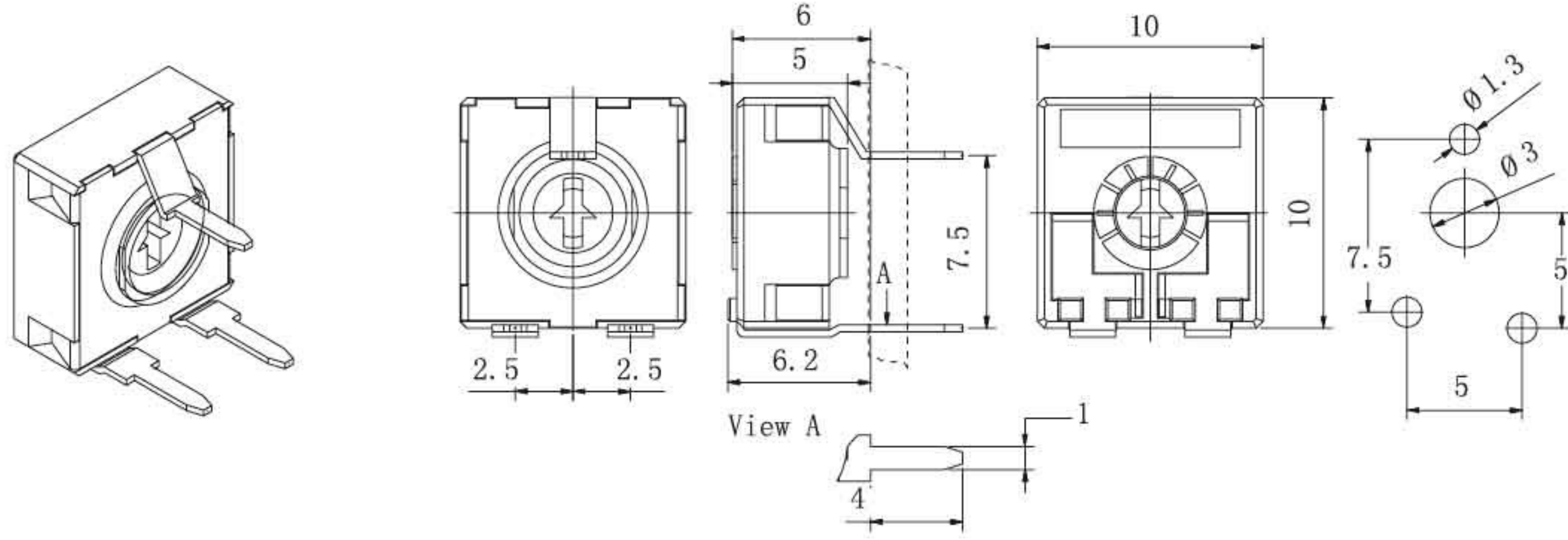


# TRIMMER POTENTIOMETER

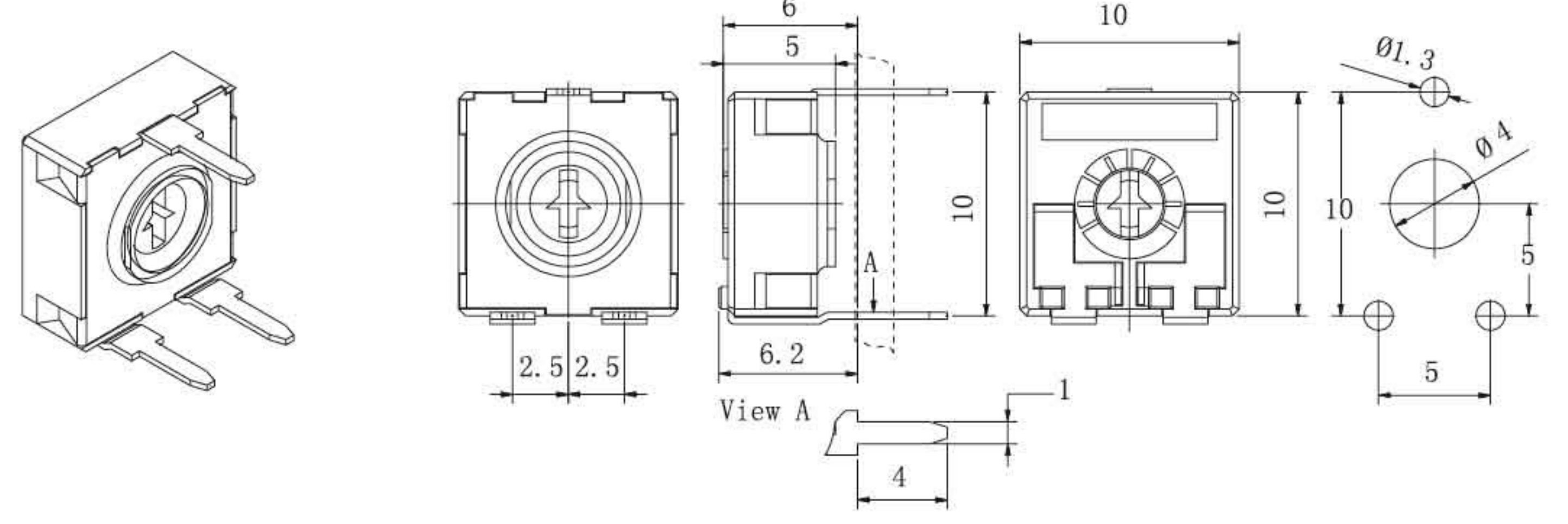


CA9

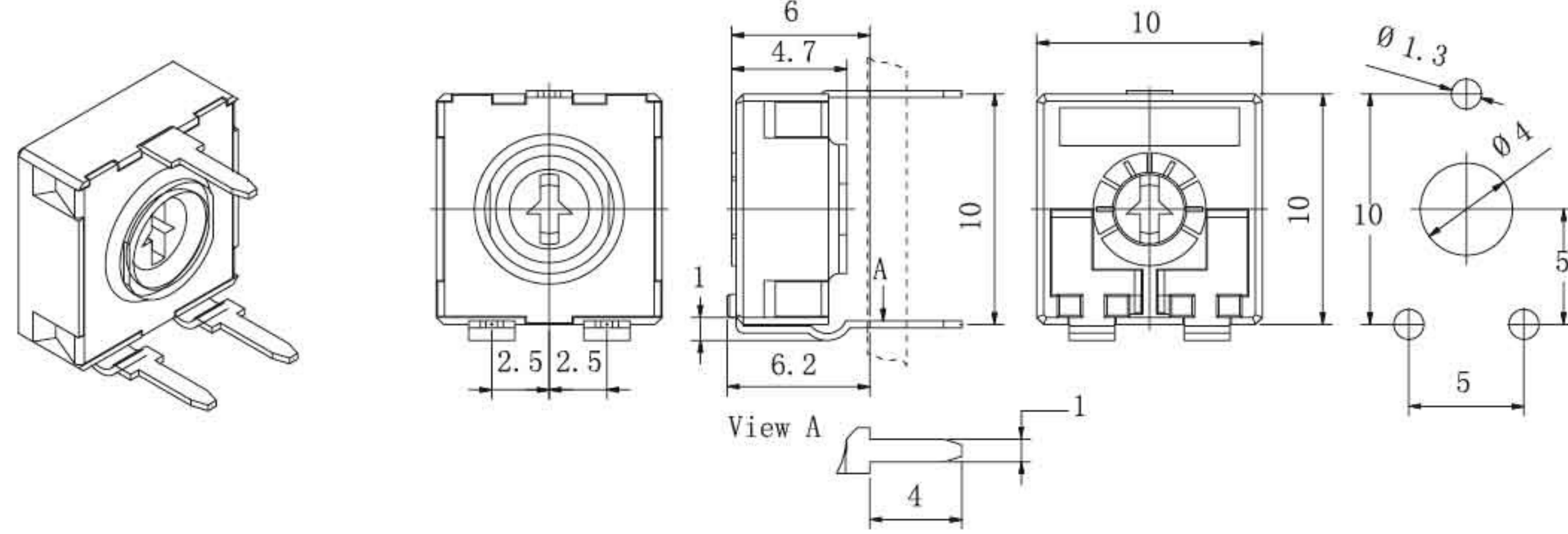
V7.5



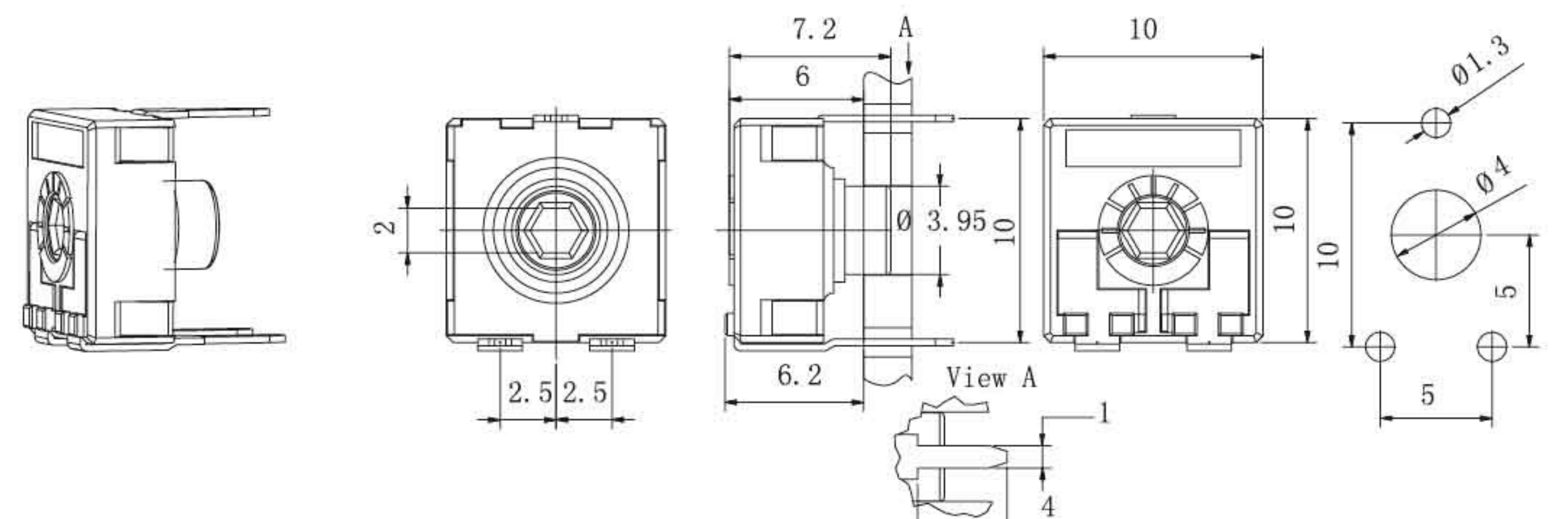
V10



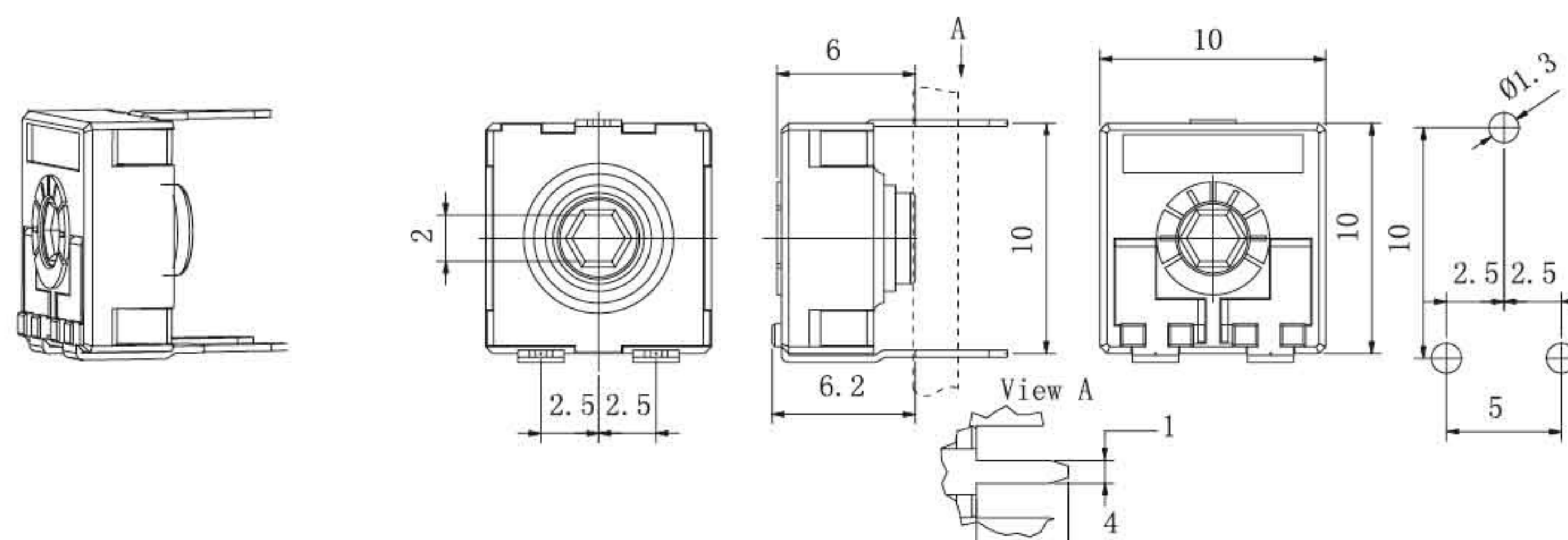
VR10



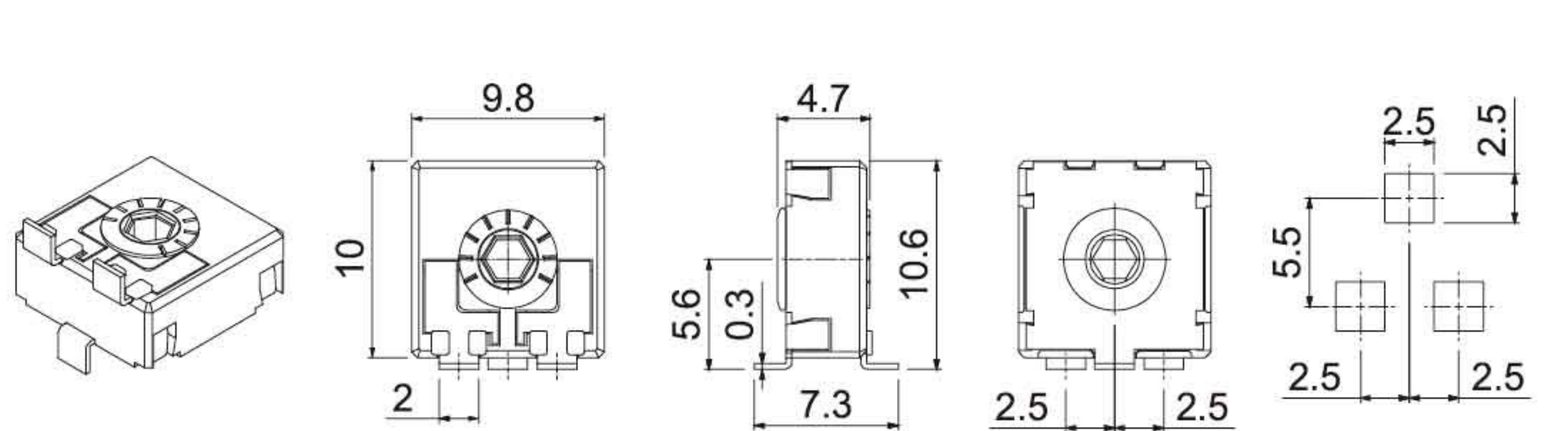
MAV10



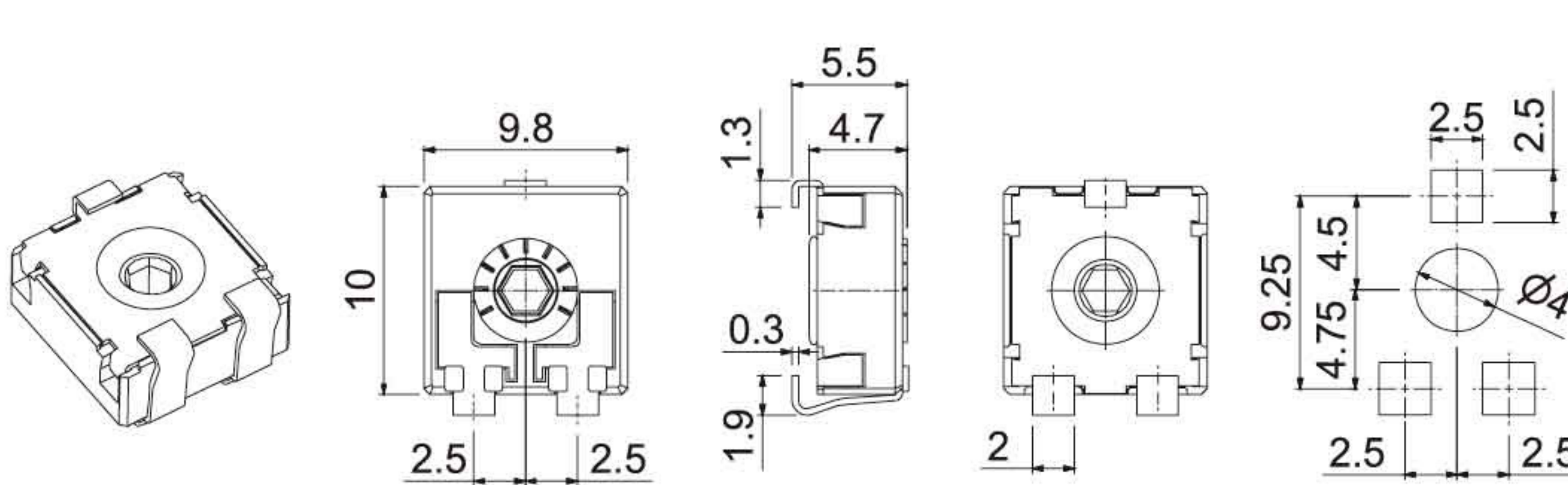
MTV10



HSMD

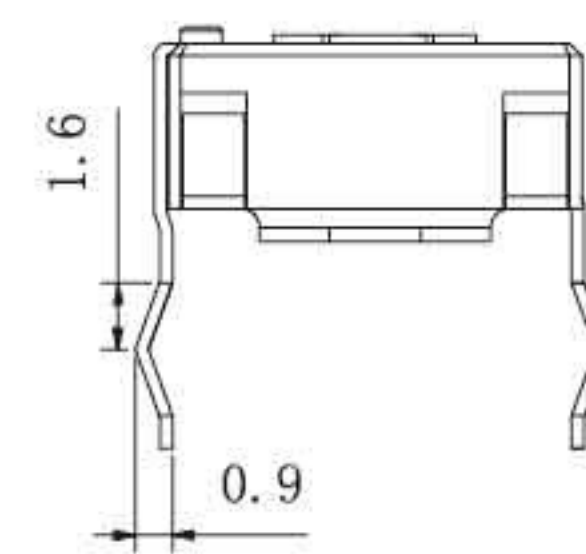


VSMD

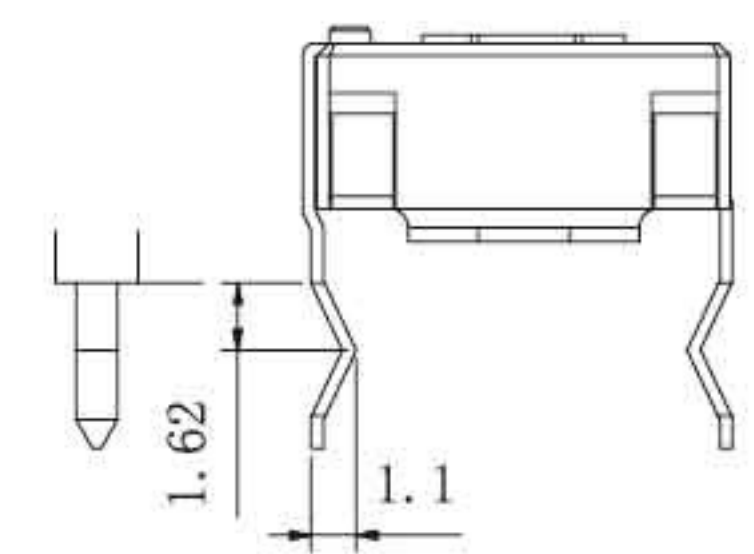


## Terminals (焊脚种类)

We can provide crimped terminals (with "snap in" ), to better hold the component to the board prior to soldering.  
我们可以提供打弯式的焊脚，以便在焊接前能够更好的安装在PCB板上



SNP

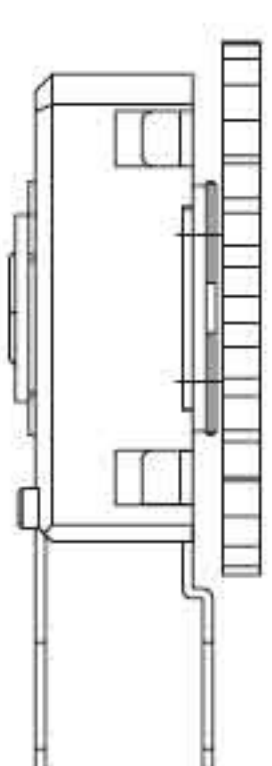


SNJ

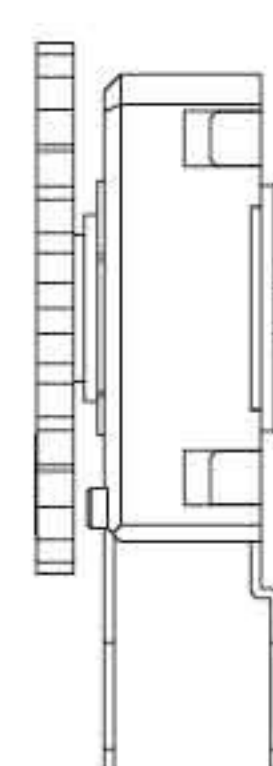
## Adjustment possibilities (手柄安装方式)

Potentiometers can be adjusted through either the front side (WT) or the collector side (WTI):

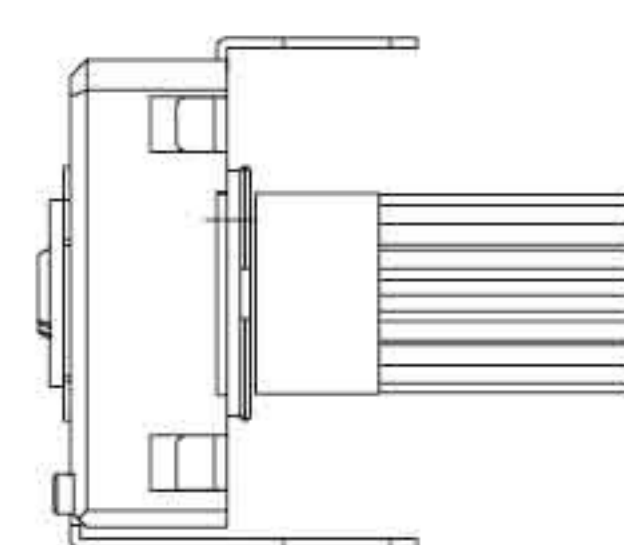
电位器手柄可以插入电位器正面或者背面调节



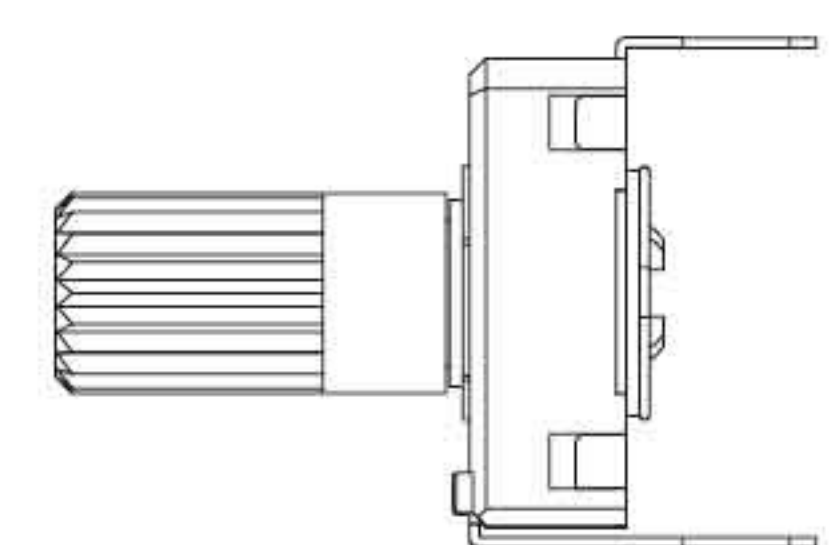
WTI  
Collector side



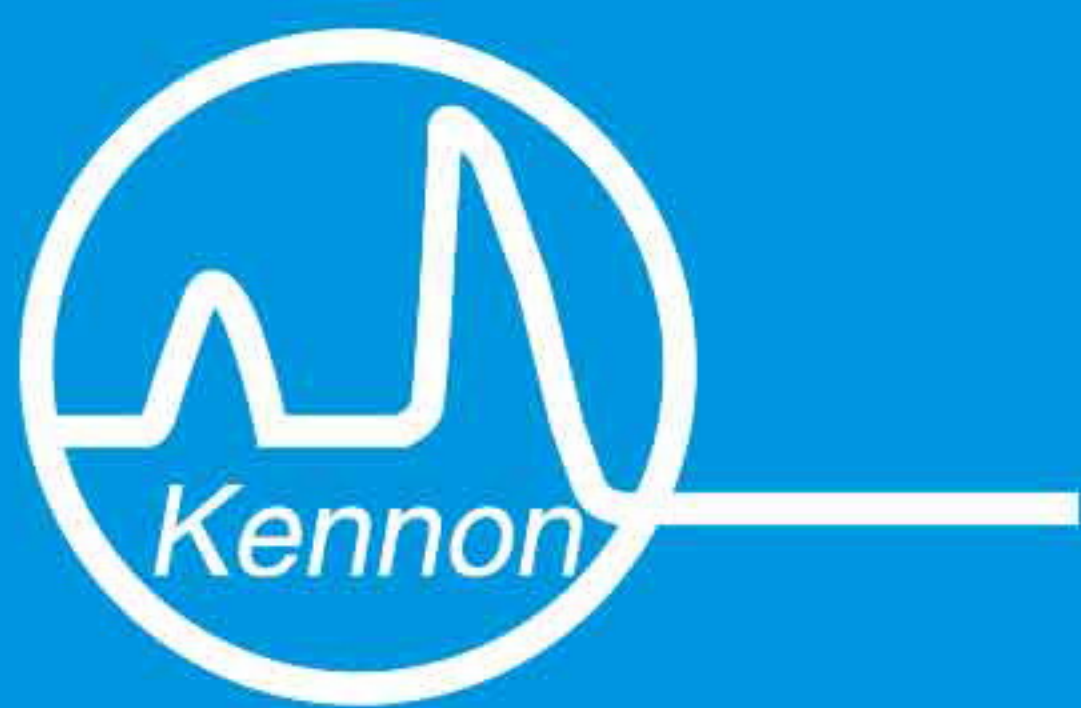
WT  
Front side



WTI  
Collector side



WT  
Front side



CA9

# TRIMMER POTENTIOMETER

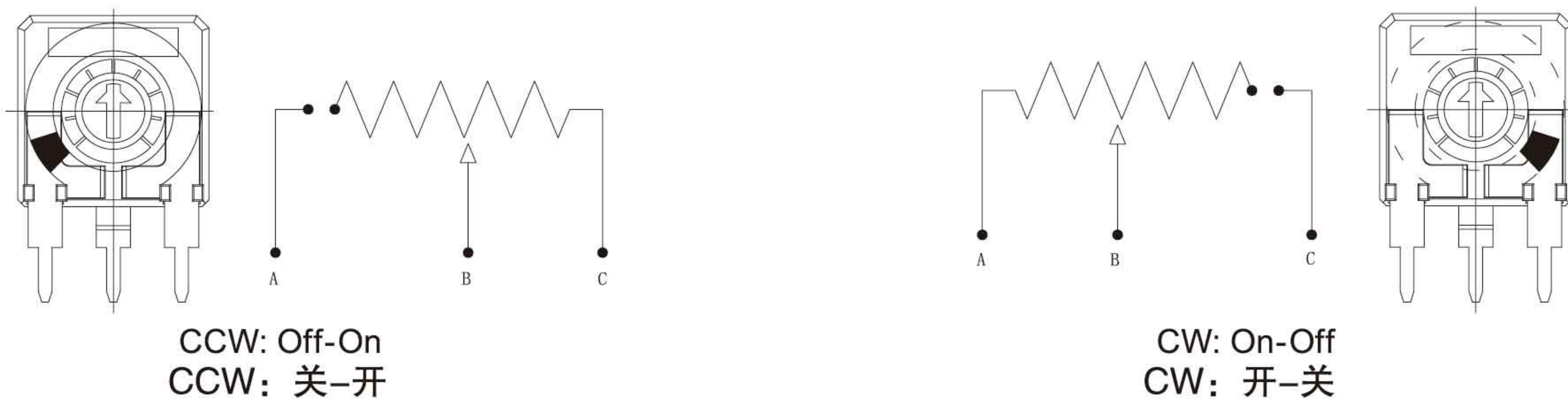
## Potentiometers with cut track 电位器带开关功能

Recommended for lighting regulation. (推荐使用领域为灯光调节)

With cut at the beginning of the track CCW:off-on. (开关在电阻的起始位置, CCW: 关-开)

With cut at the end of track-CW:on-off. Others positions available on request.

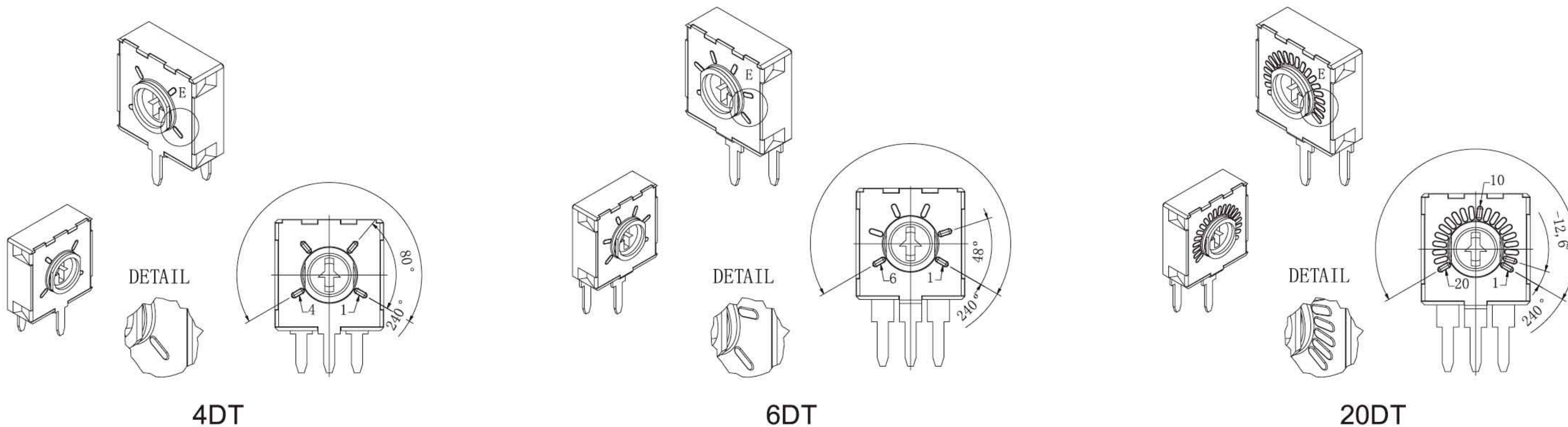
(开关在电阻的末端位置, CW, 开-关。其他可根据要求定制)



## Potentiometers with detents ( 电位器带定位功能 )

Detent feature(DT) is specially for control application. Detents can be 3,4,6,7,9,10 and up to 20.

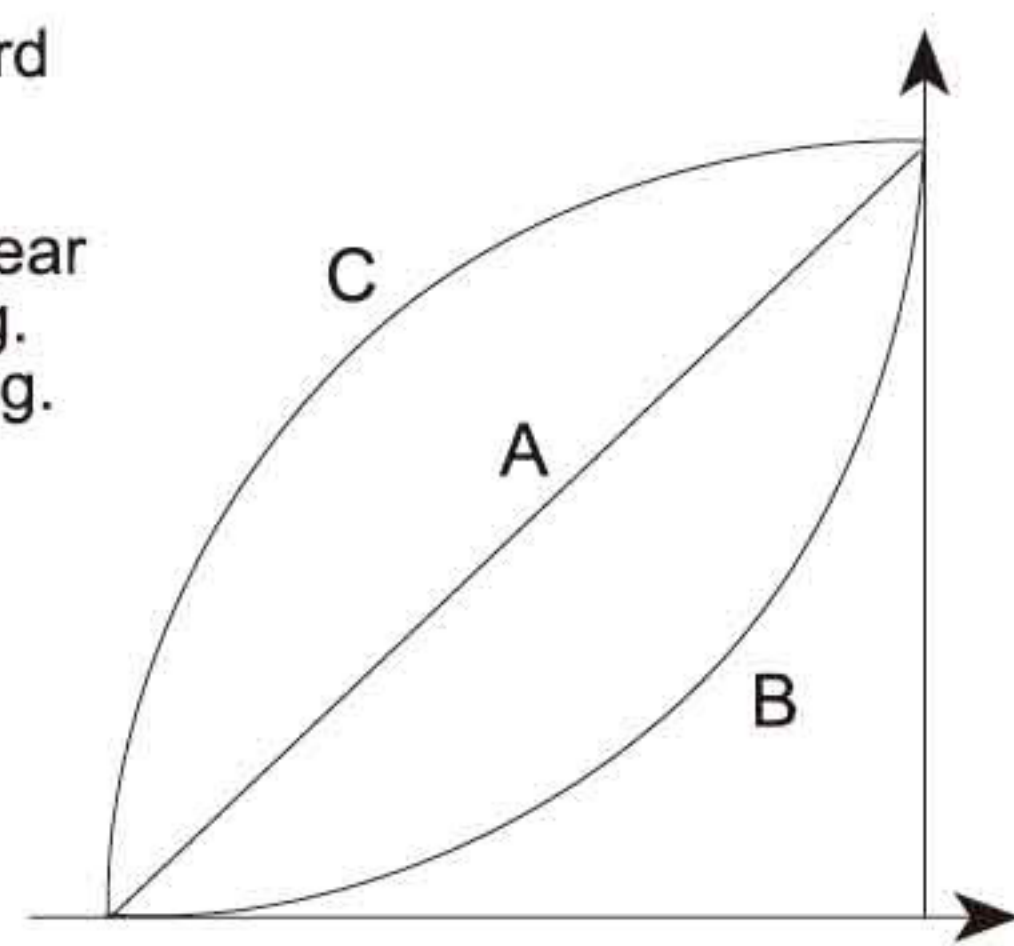
带定位的产品可适用于控制设备, 定位次数可以为3, 4, 6, 7, 9, 10...最高可达20次定位。



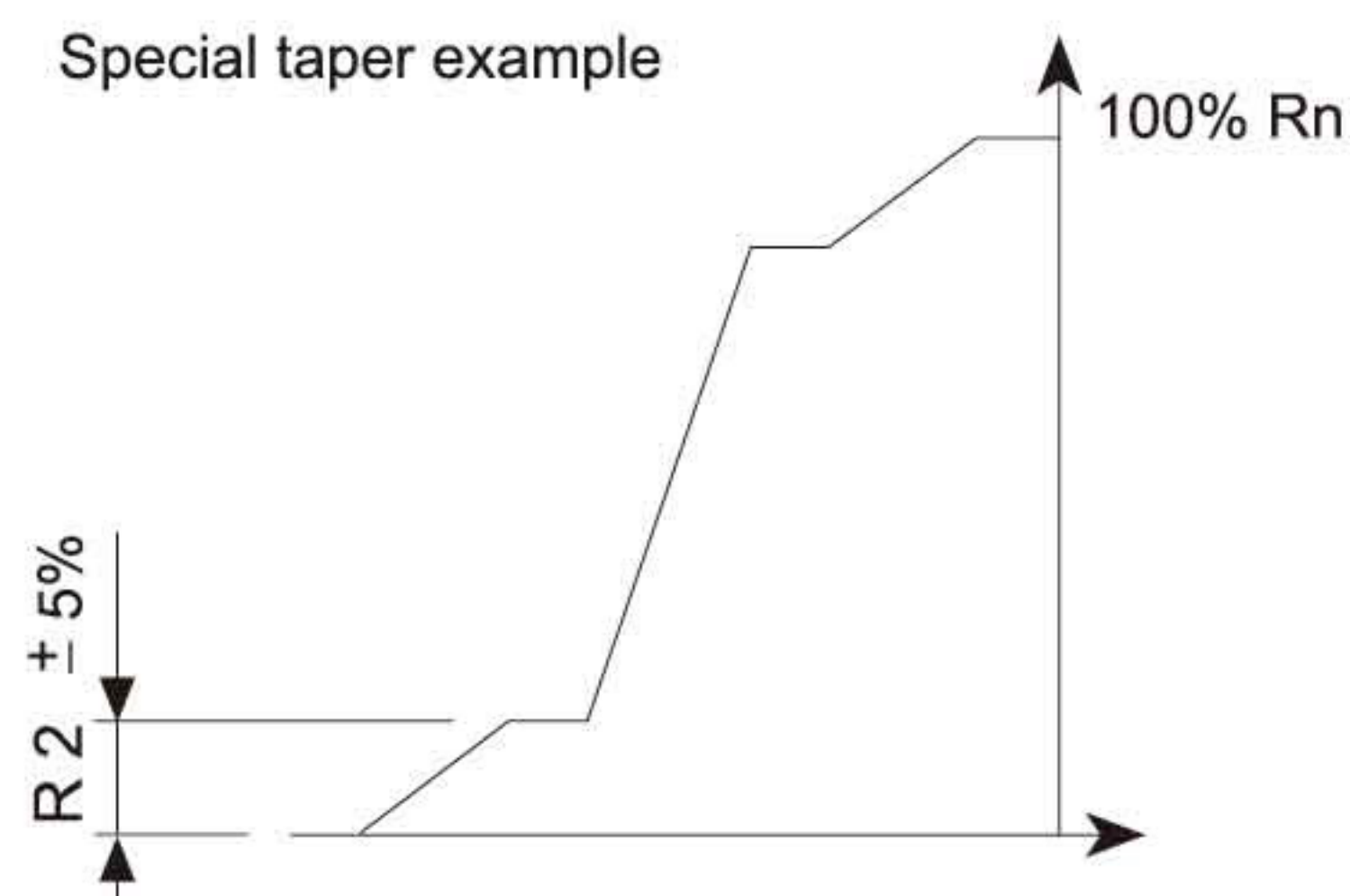
## TAPERS

Standard

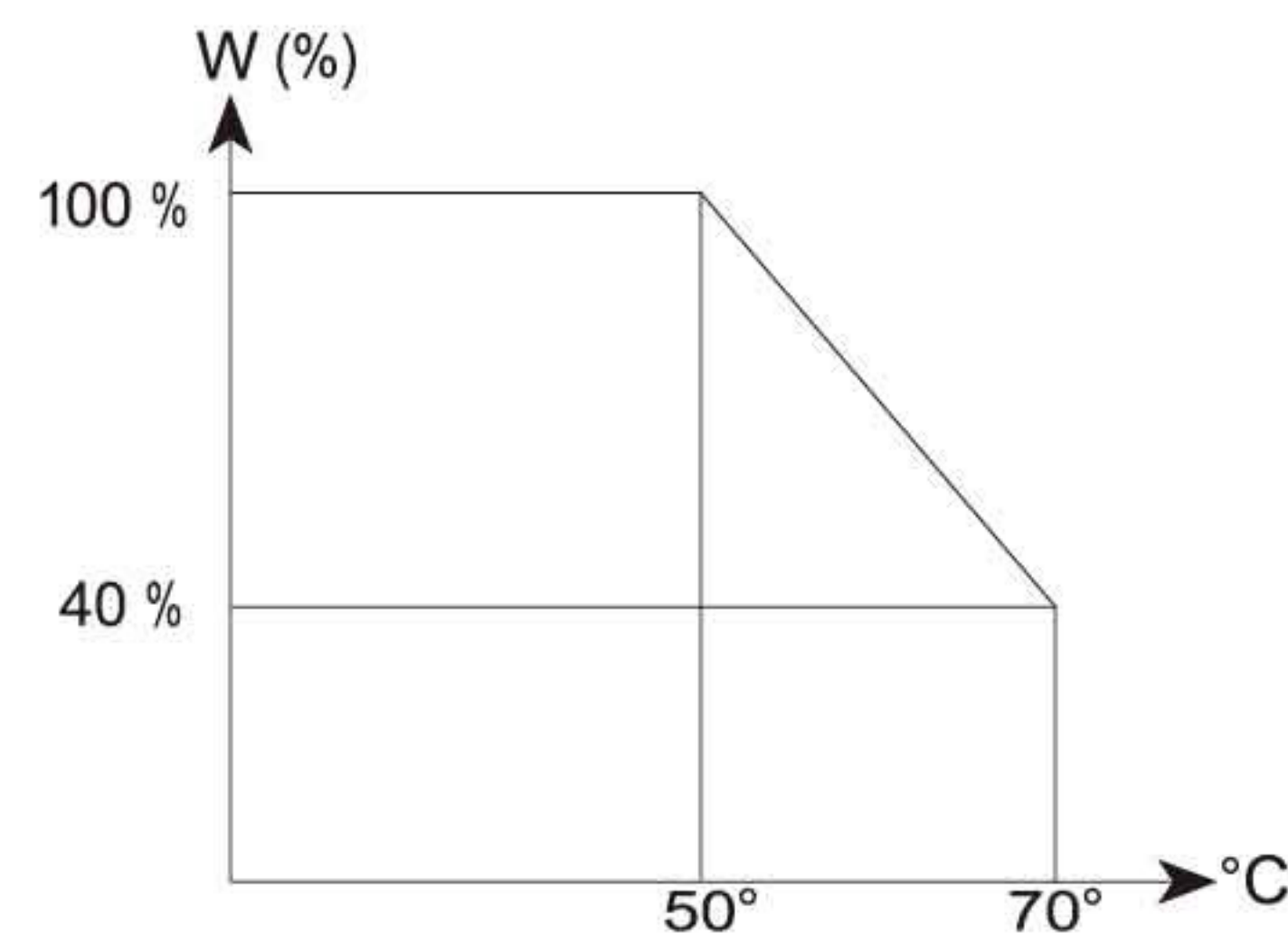
A = Linear  
B = Log.  
C = Alog.



Special taper example



## POWER RATING CURVE



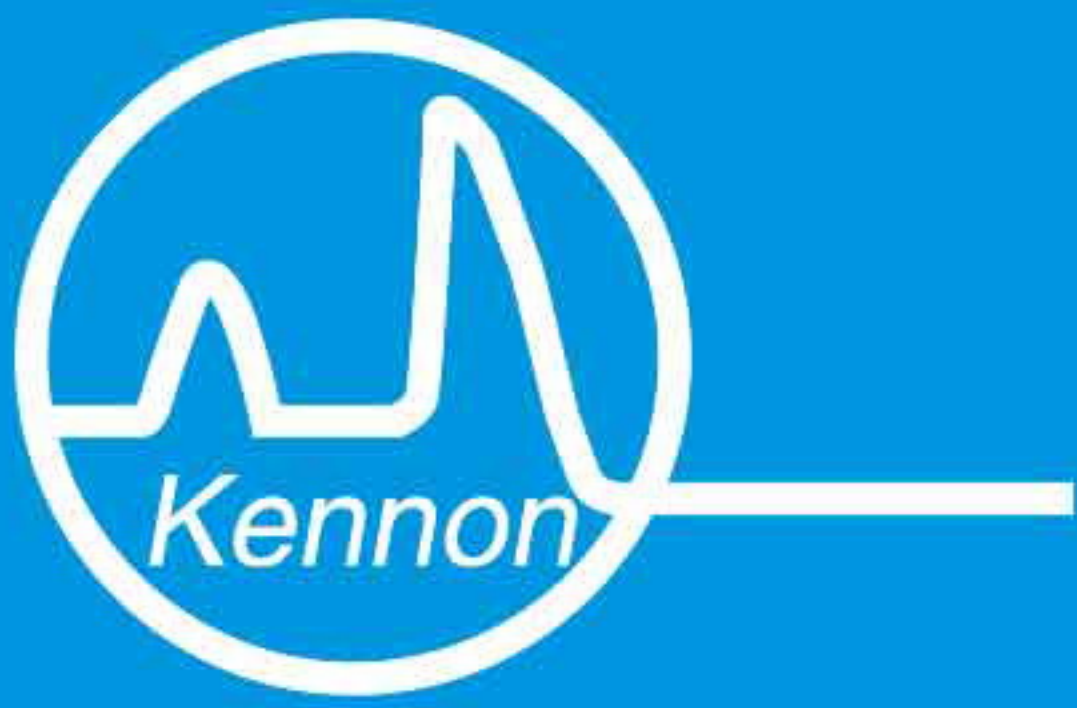
NOTE = Please note relative terminals positions when ordering non linear tapers.

## TESTS

ELECTRICAL LIFE	1.000h @ 50°C;0.15W	± 5%
MECHANICAL LIFE(CYCLES)	500 @ 10CPM...15CPM	± 3% (Rn<1M Ω)
TEMPERATURE COEFFICIENT	-25°C; +70°C	± 300ppm(Rn<100K)
THERMAL CYCLING	16h.@ 85°C;2h.@ -25°C	± 2.5%
DAMP HEAT	500h.@ 40°C @95%HR	± 5%
VIBRATION (for each plane X,Y,Z)	2h.@10Hz... 55Hz.	± 2%

NOTE:Out of range values may not comply with these results.

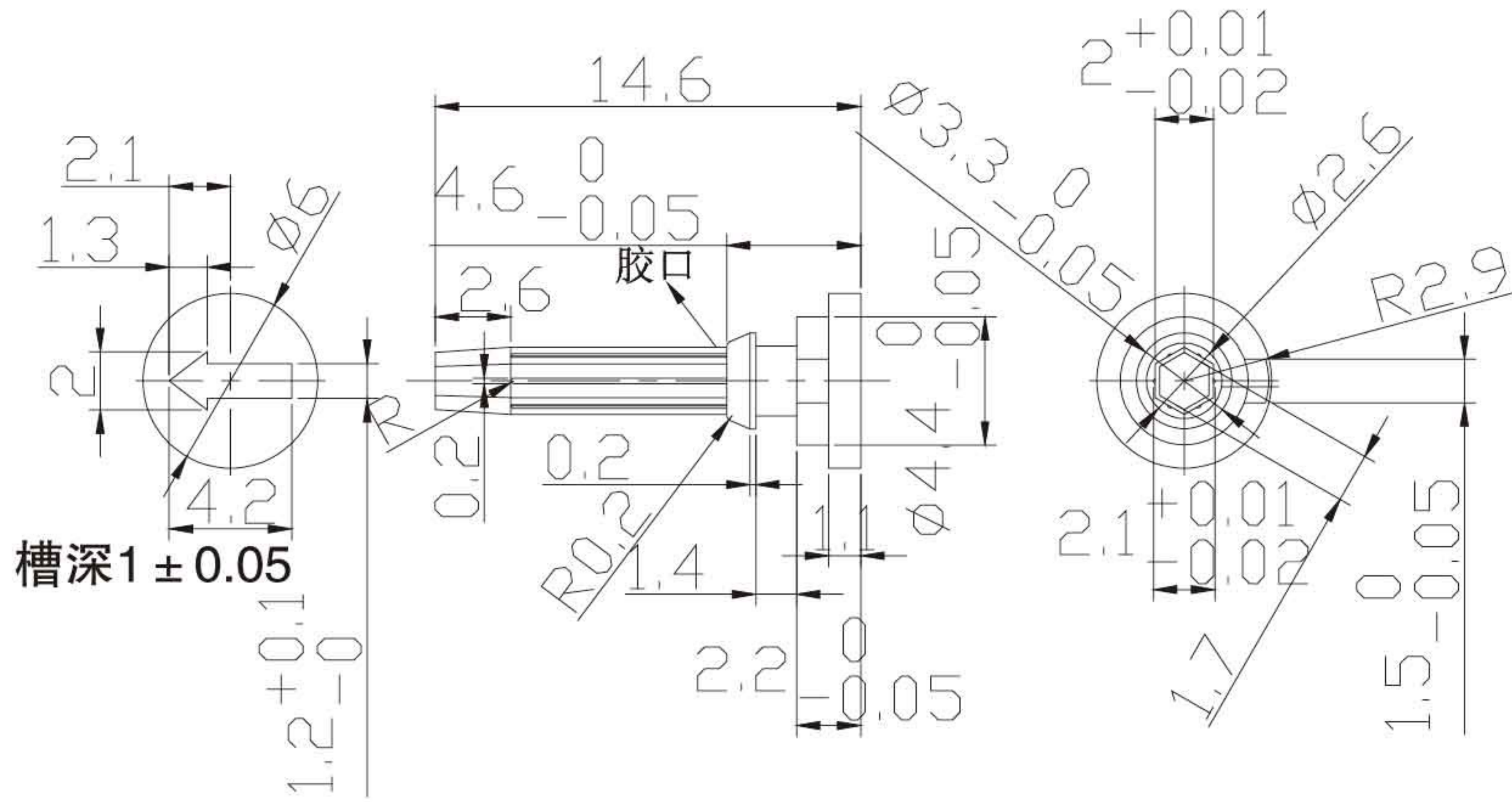




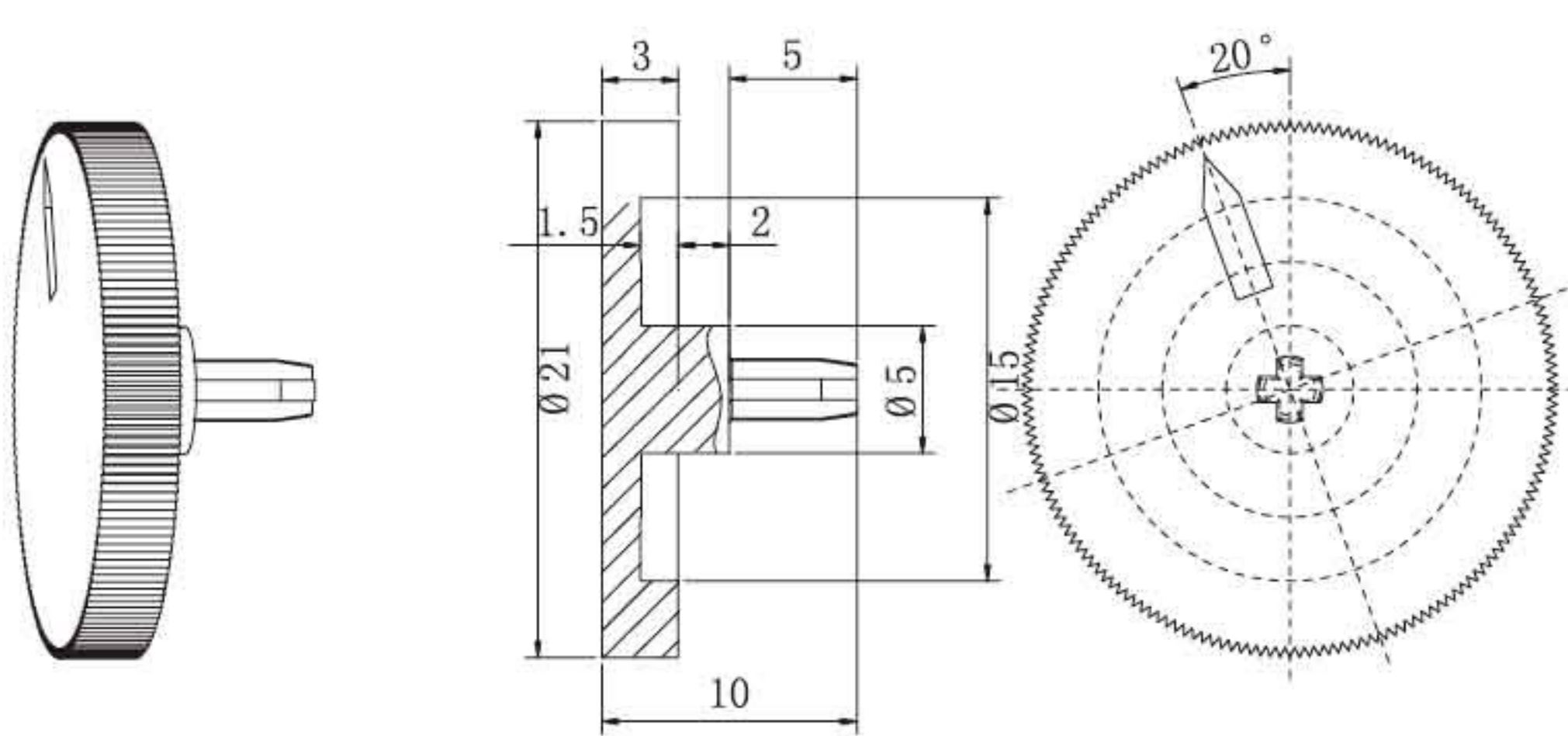
CA9

# TRIMMER POTENTIOMETER

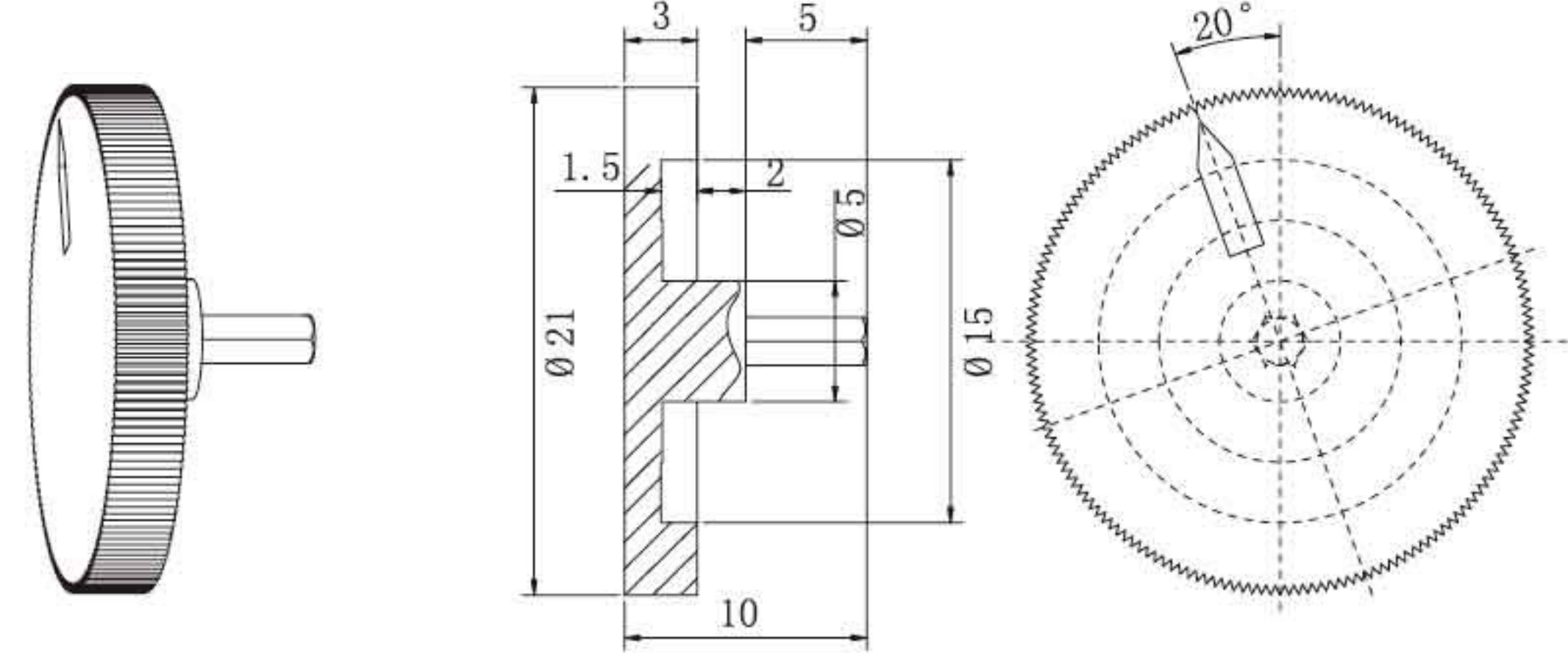
9#号轴



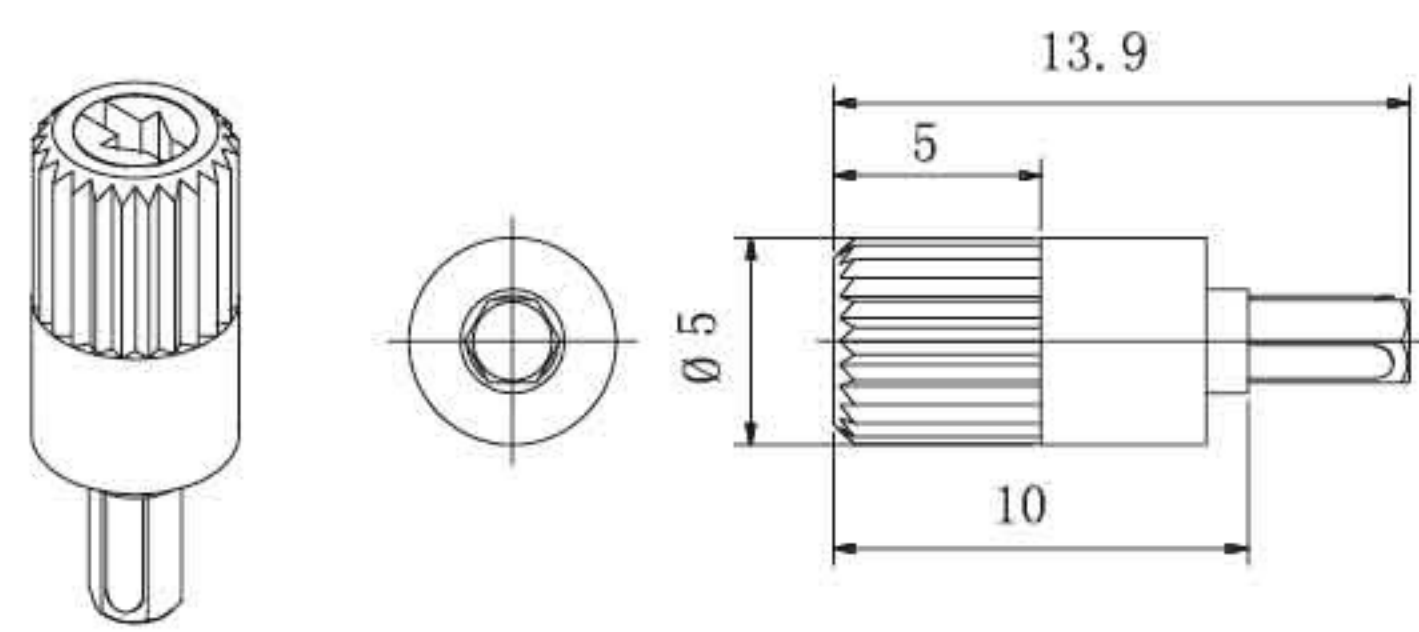
9060



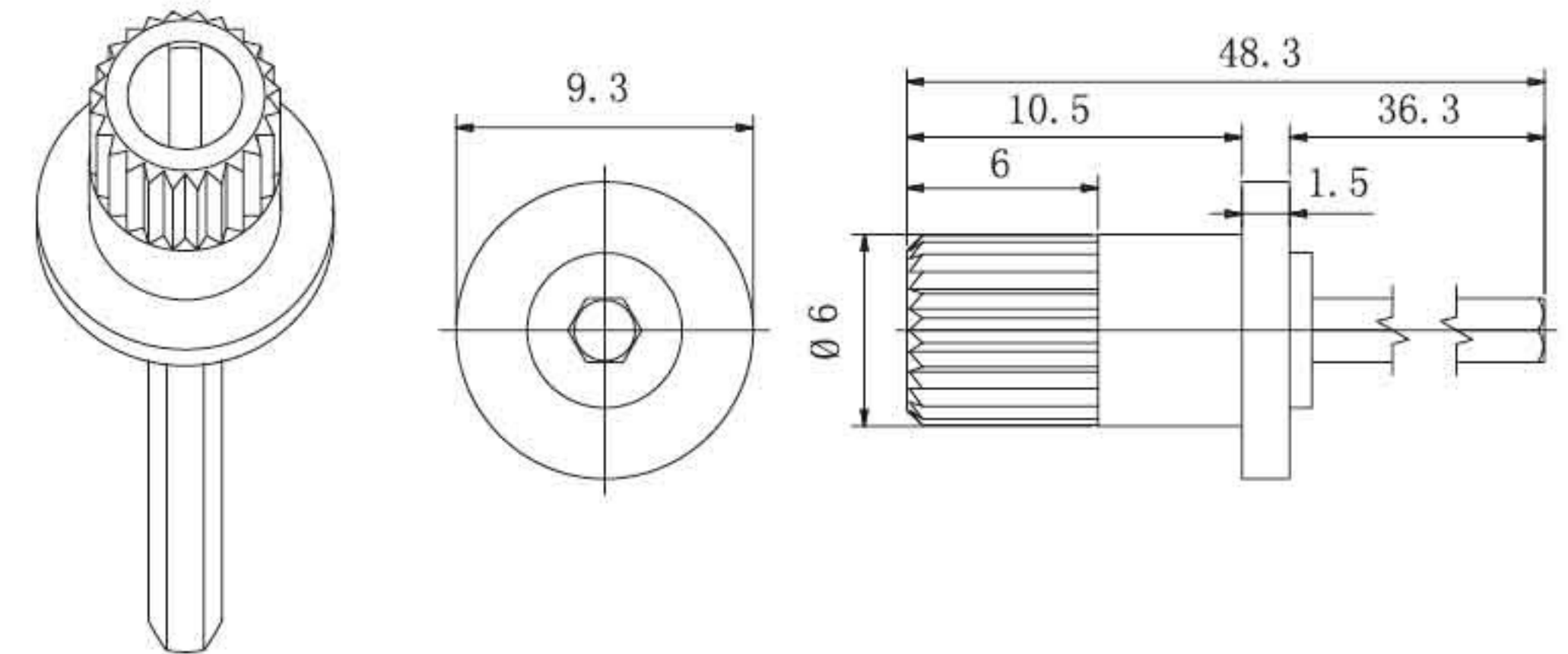
9061



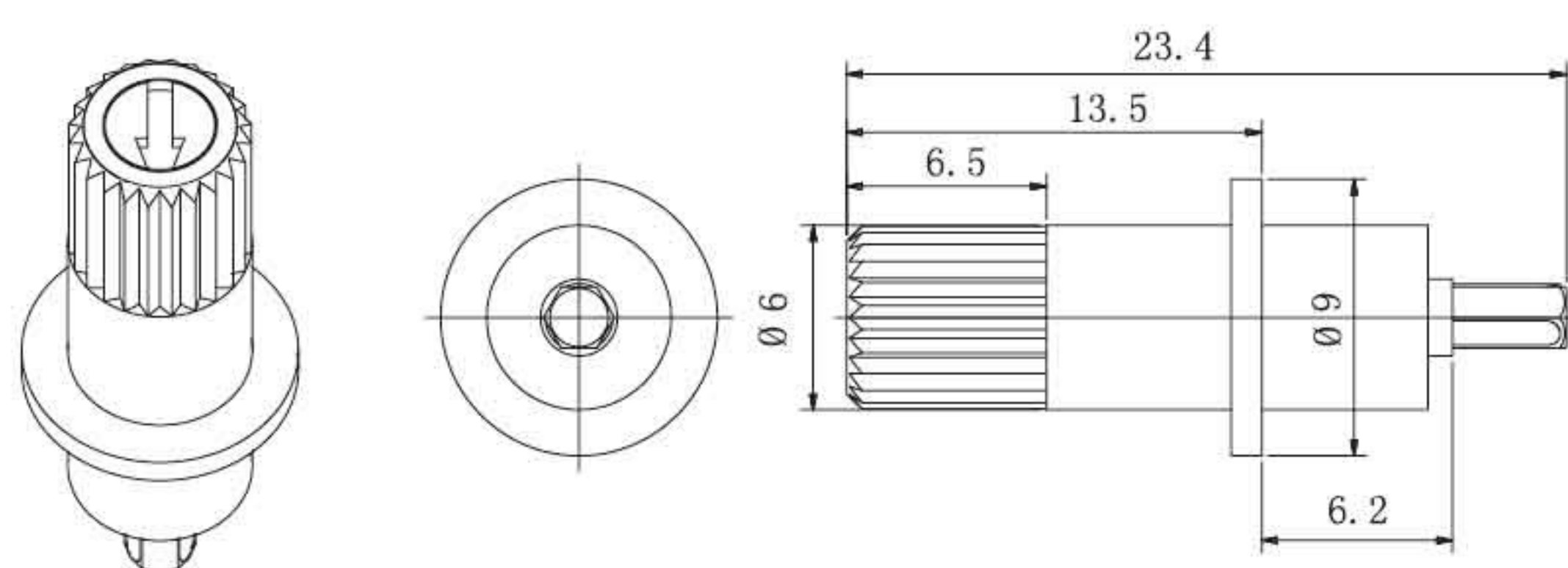
9005



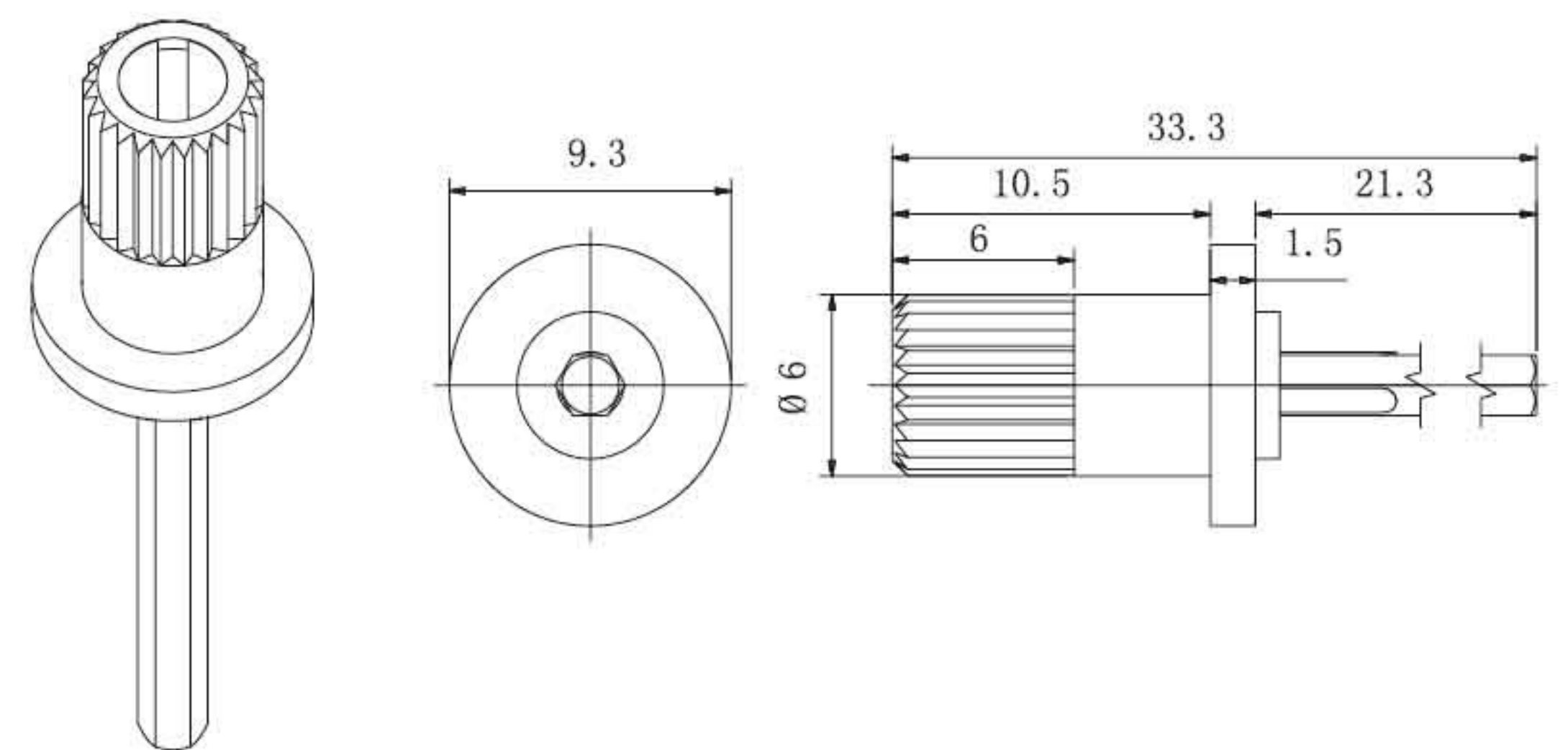
9018 For 6 potentiometers



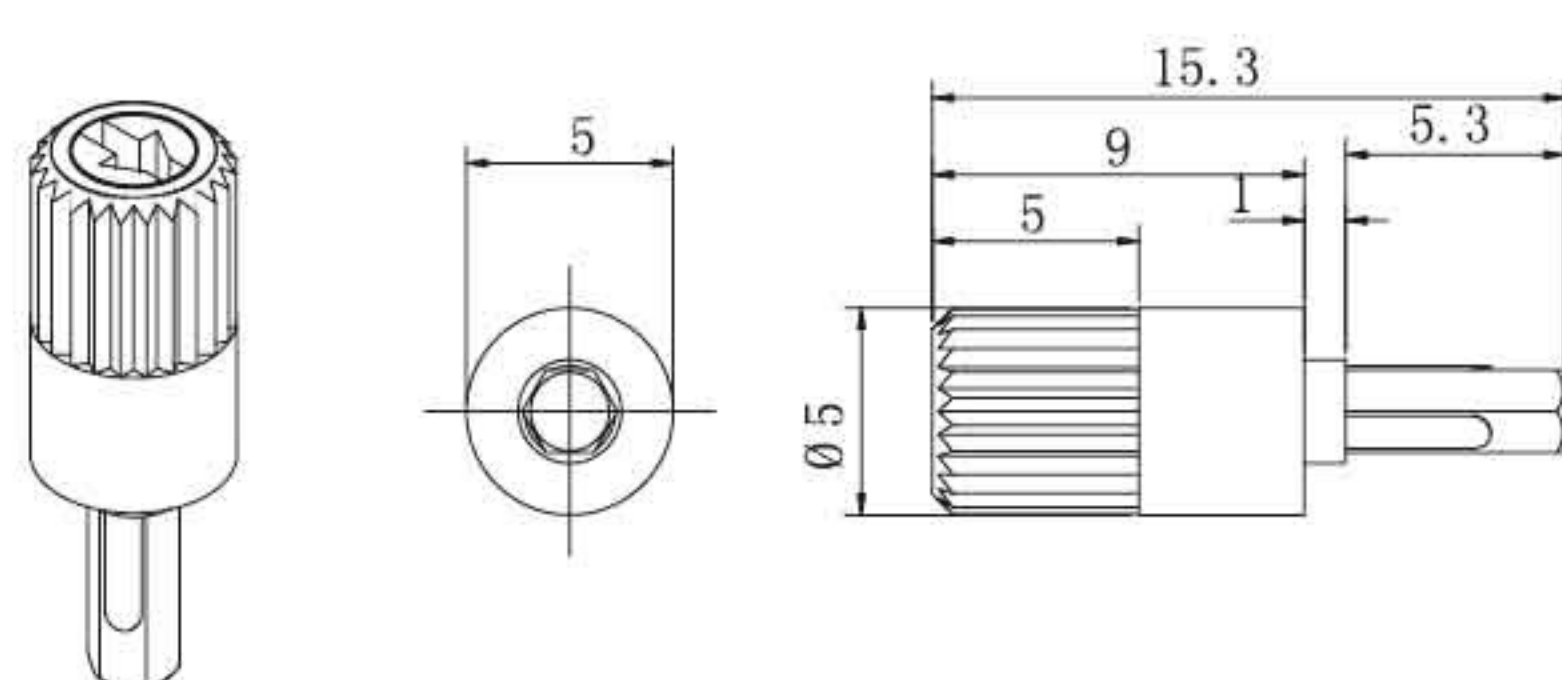
9006



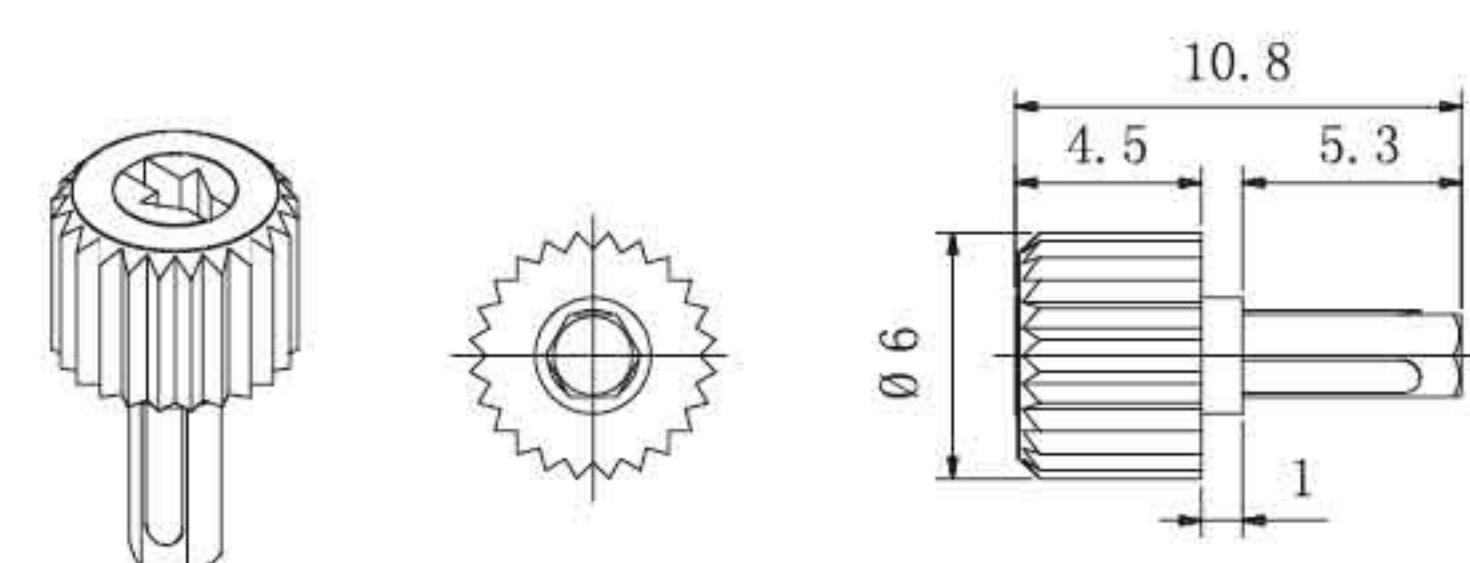
9039 For 4 potentiometers



9064



9067

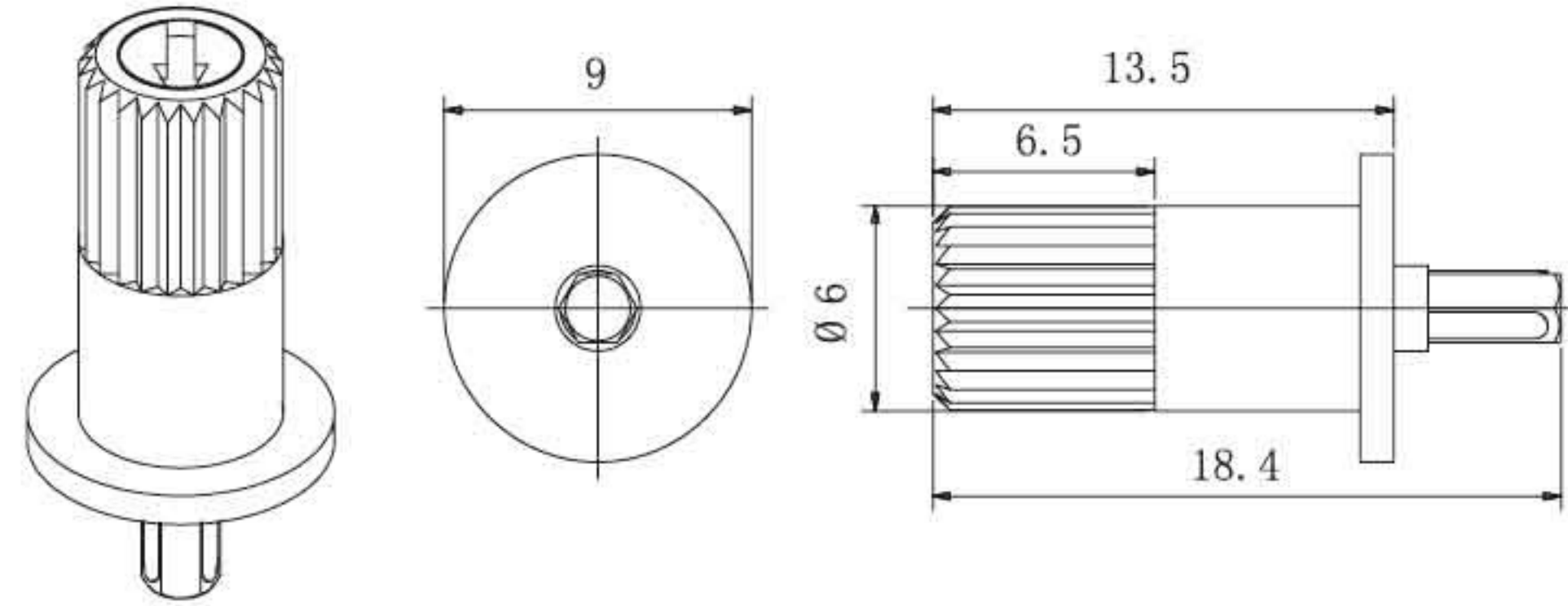


# TRIMMER POTENTIOMETER

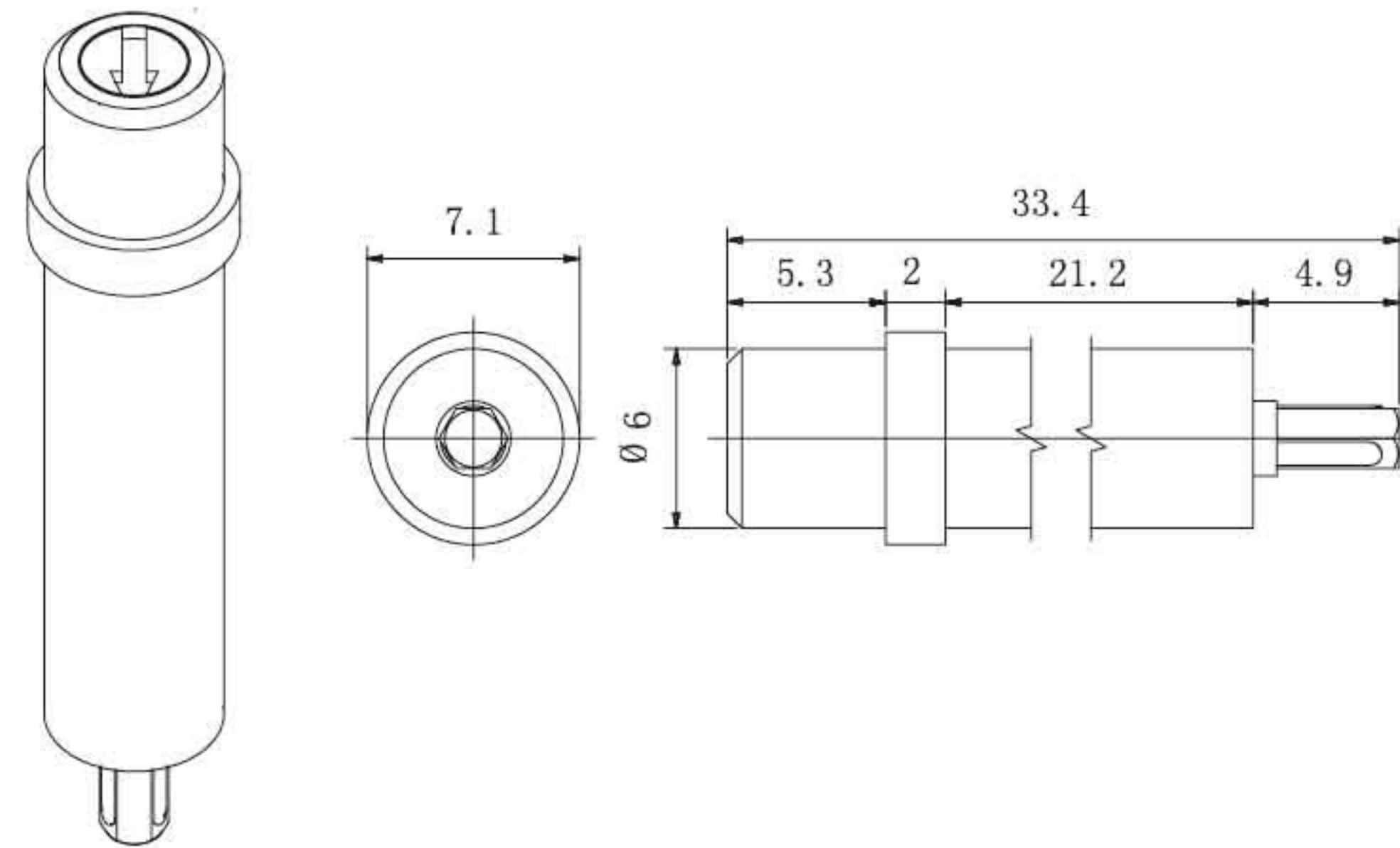


CA9

9009

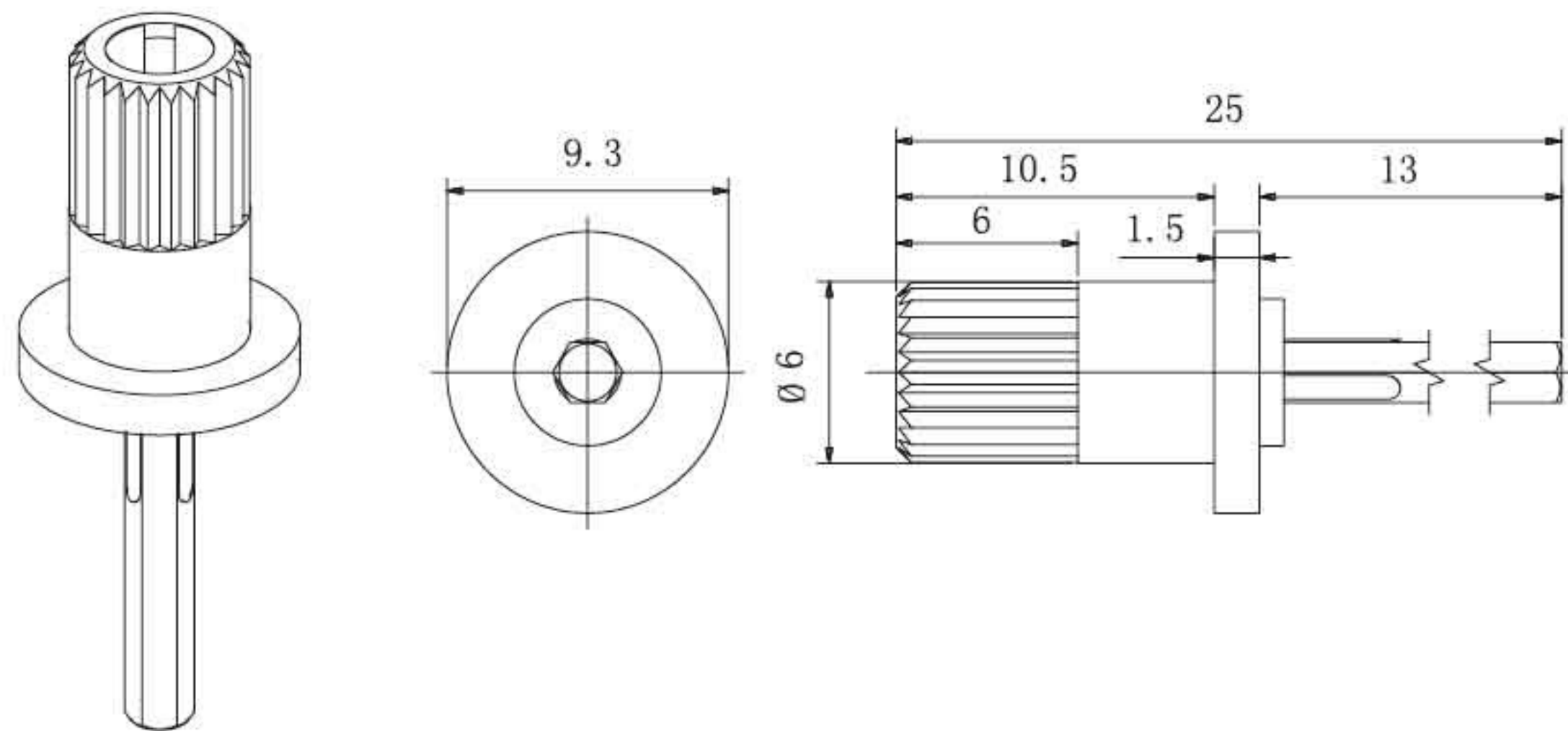


9047



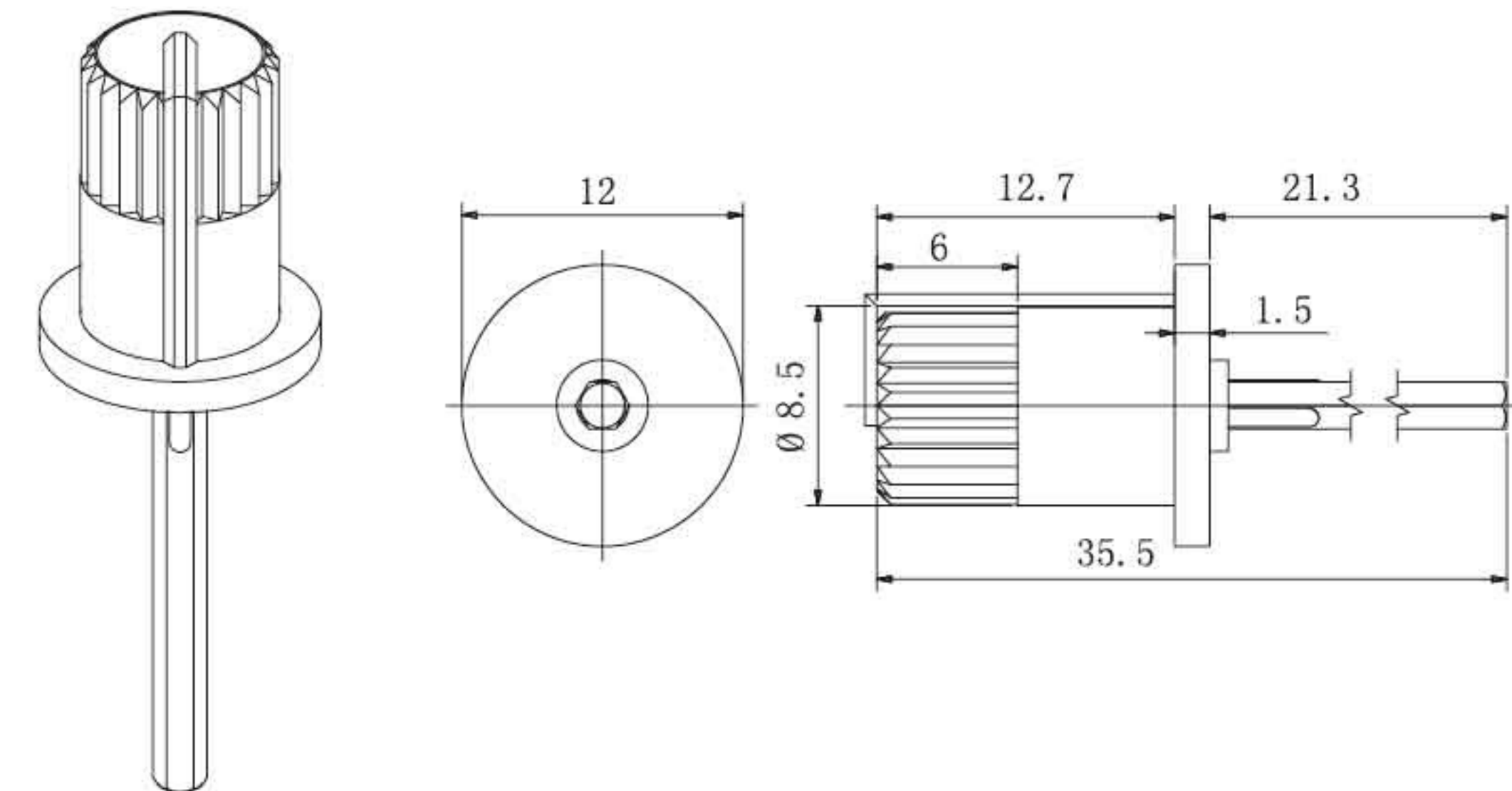
9048

For 2 potentiometers

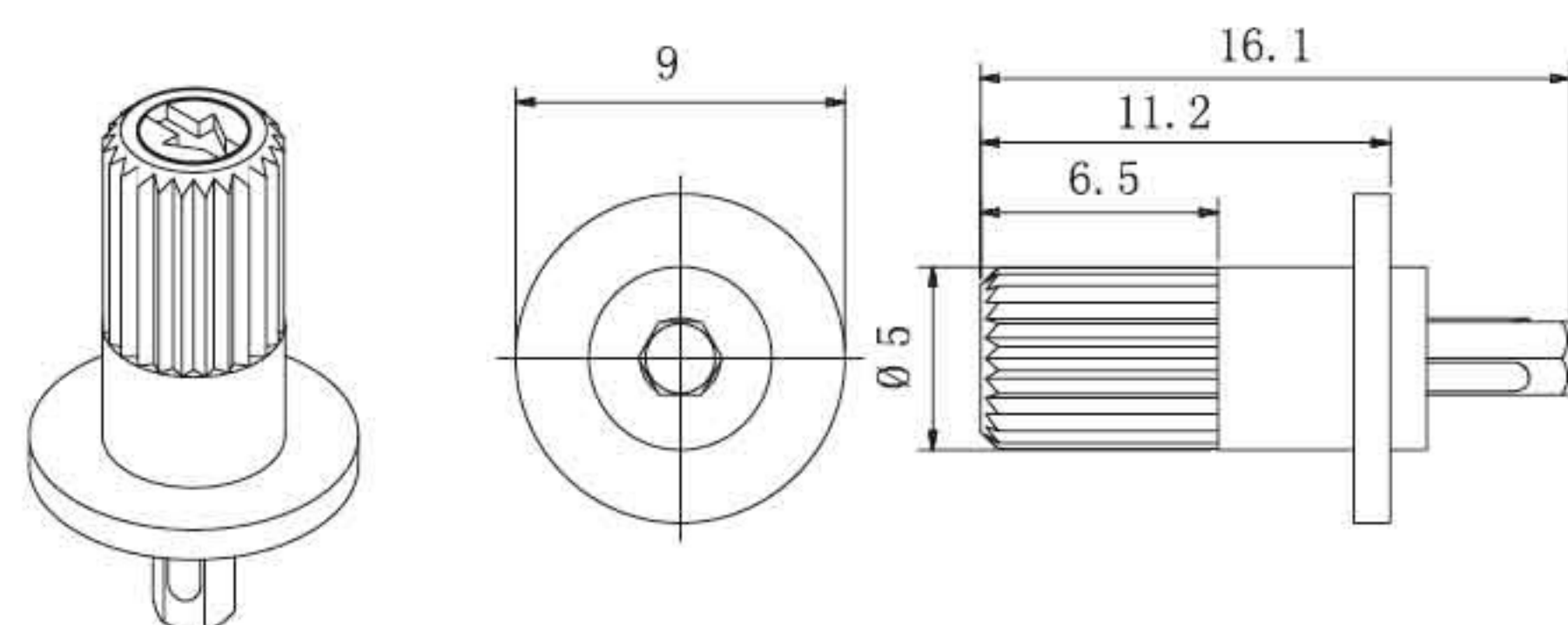


9051

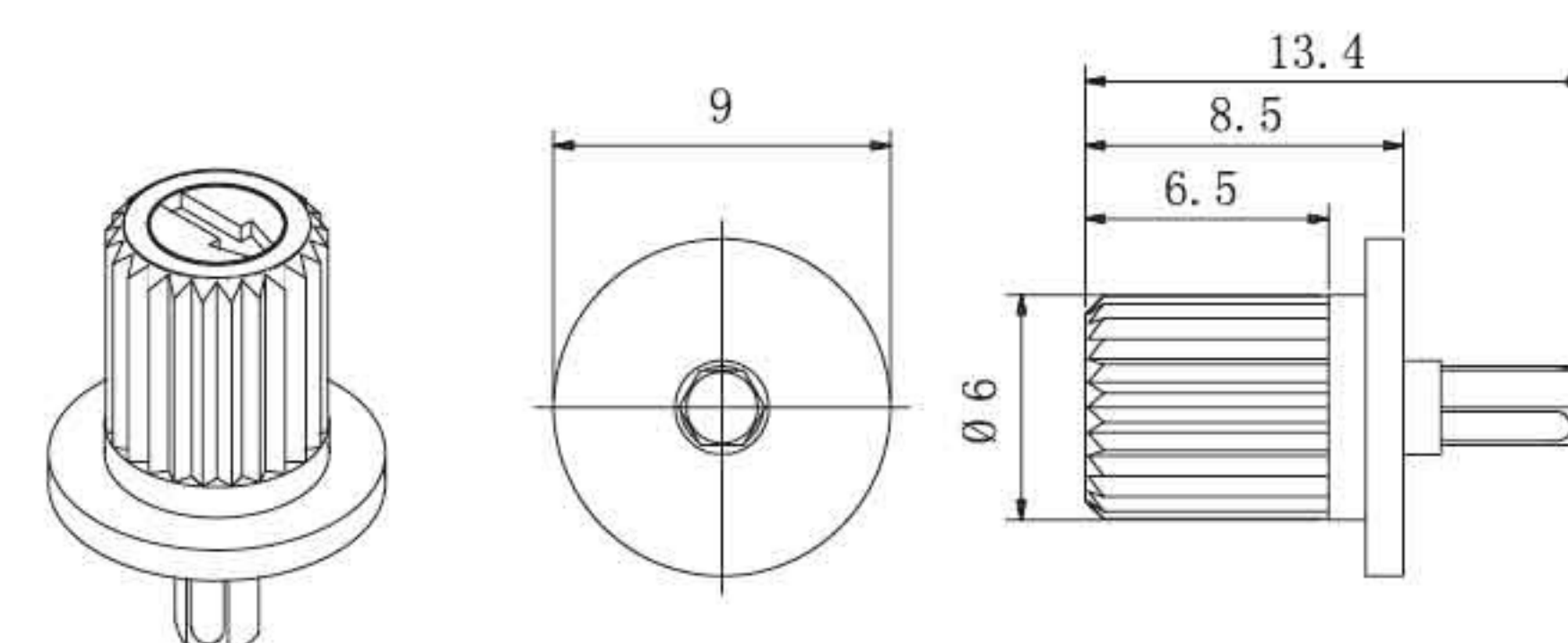
For 4 potentiometers



9053

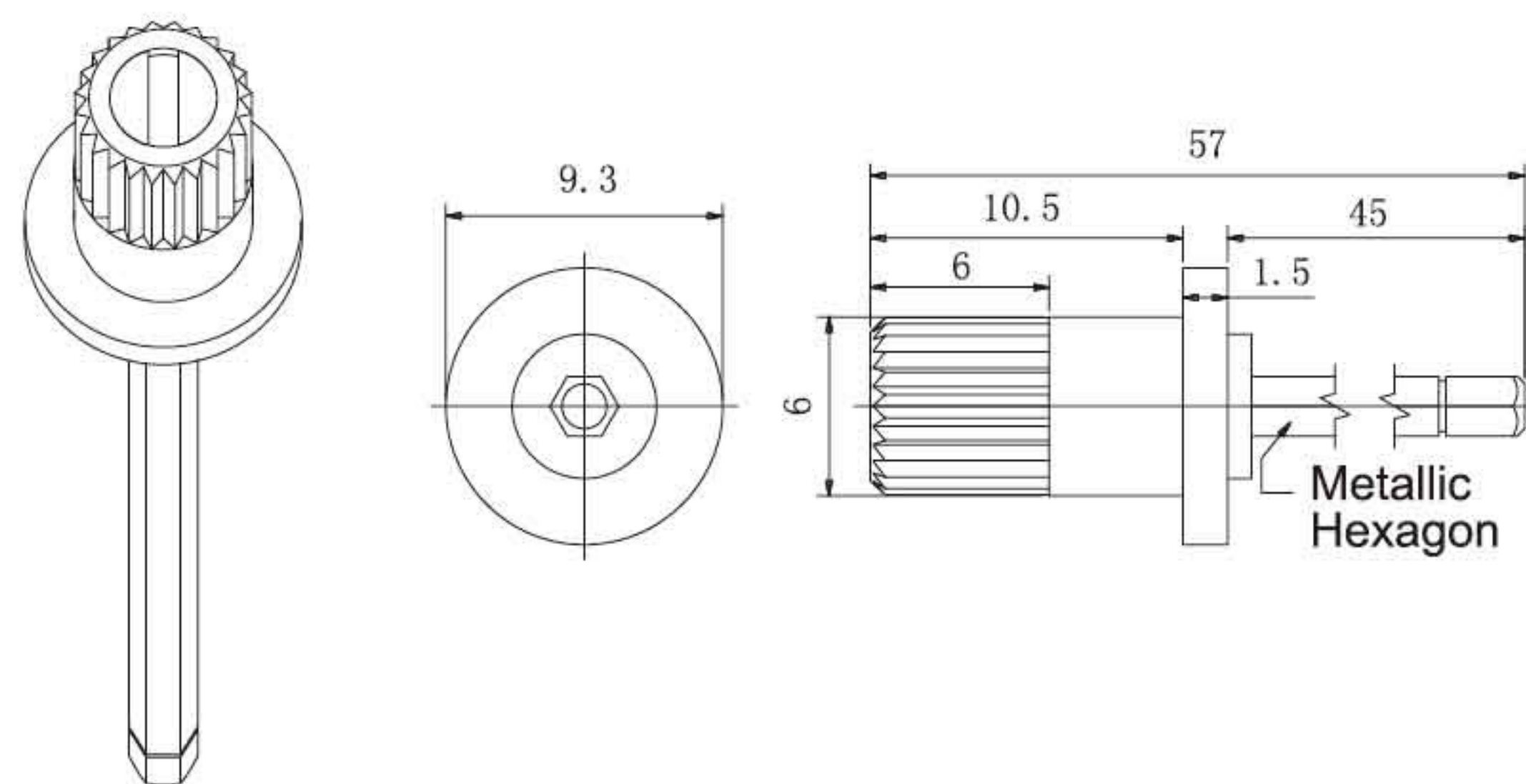


9054

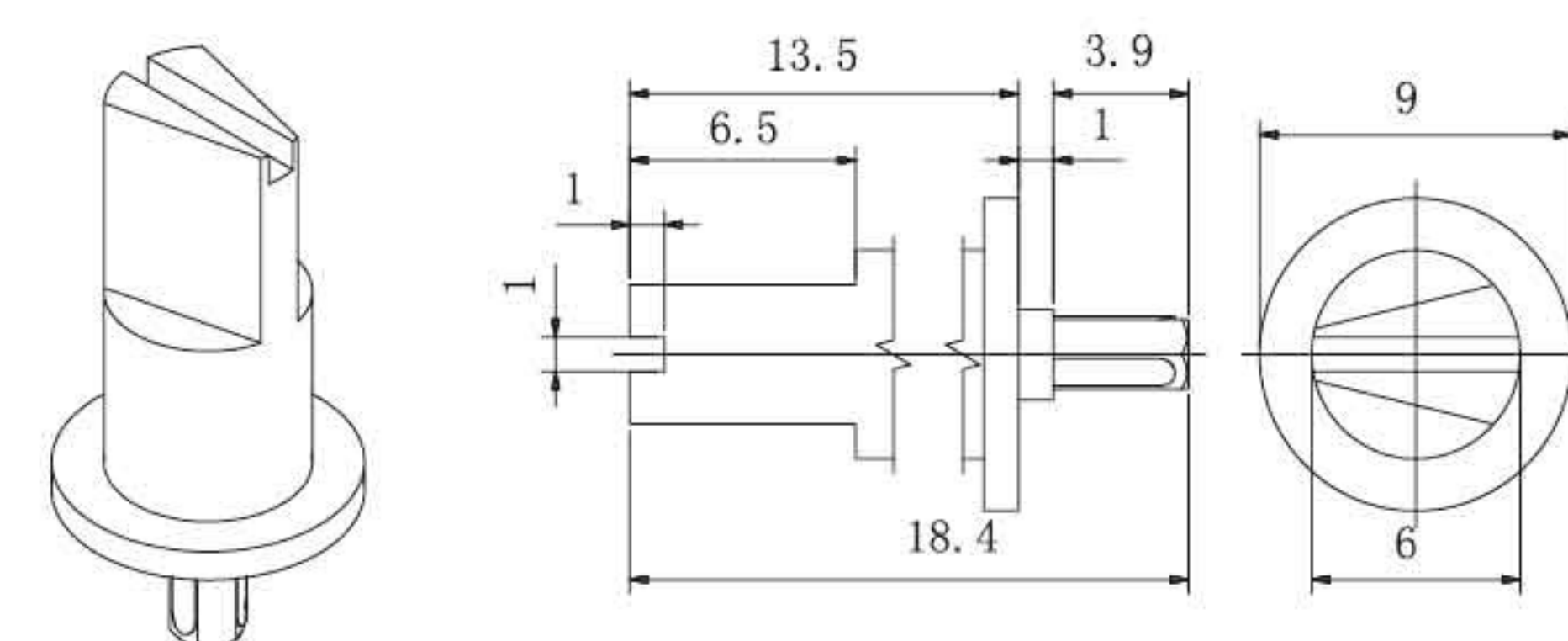


9056

For 8 potentiometers



9063



9041

