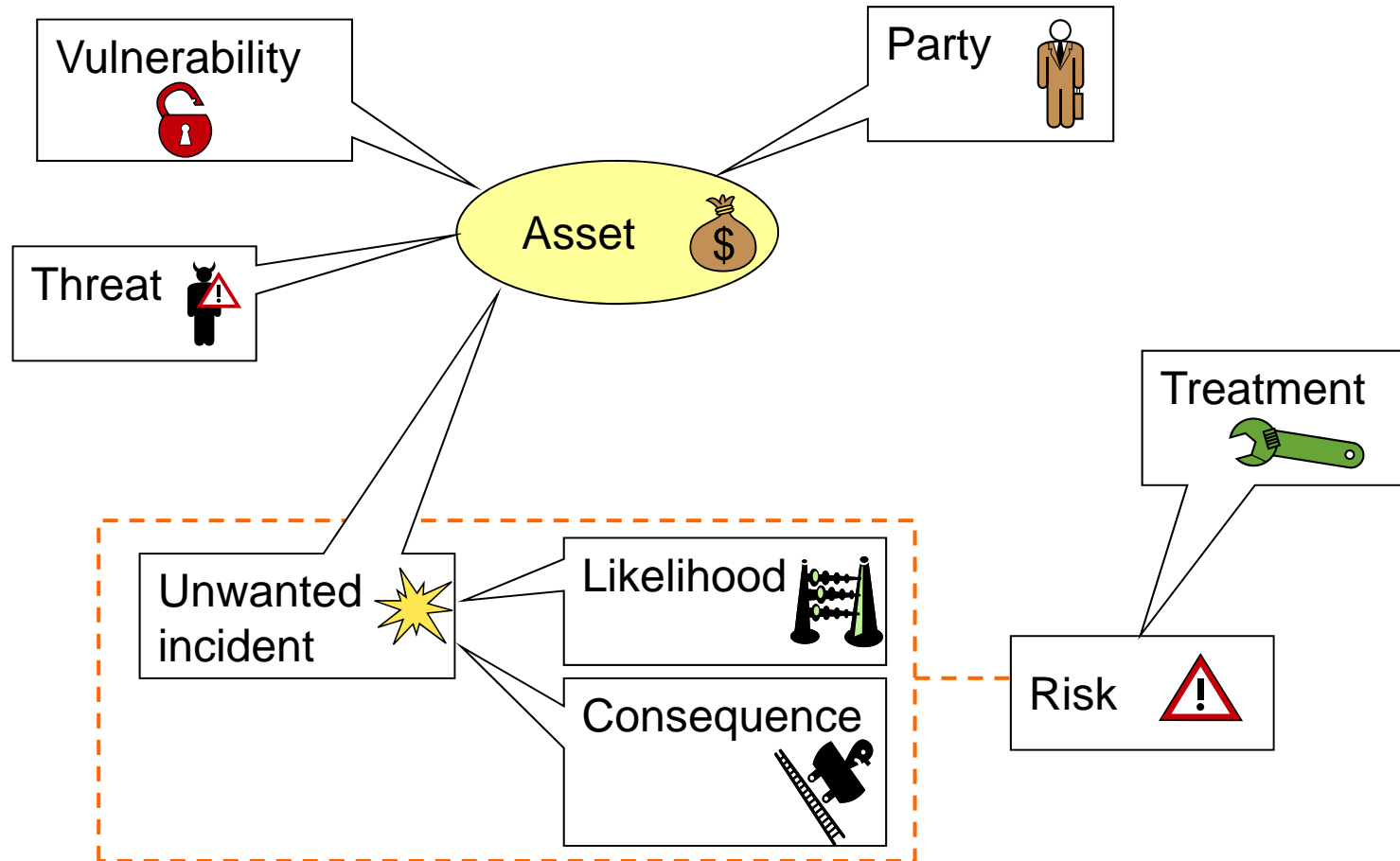
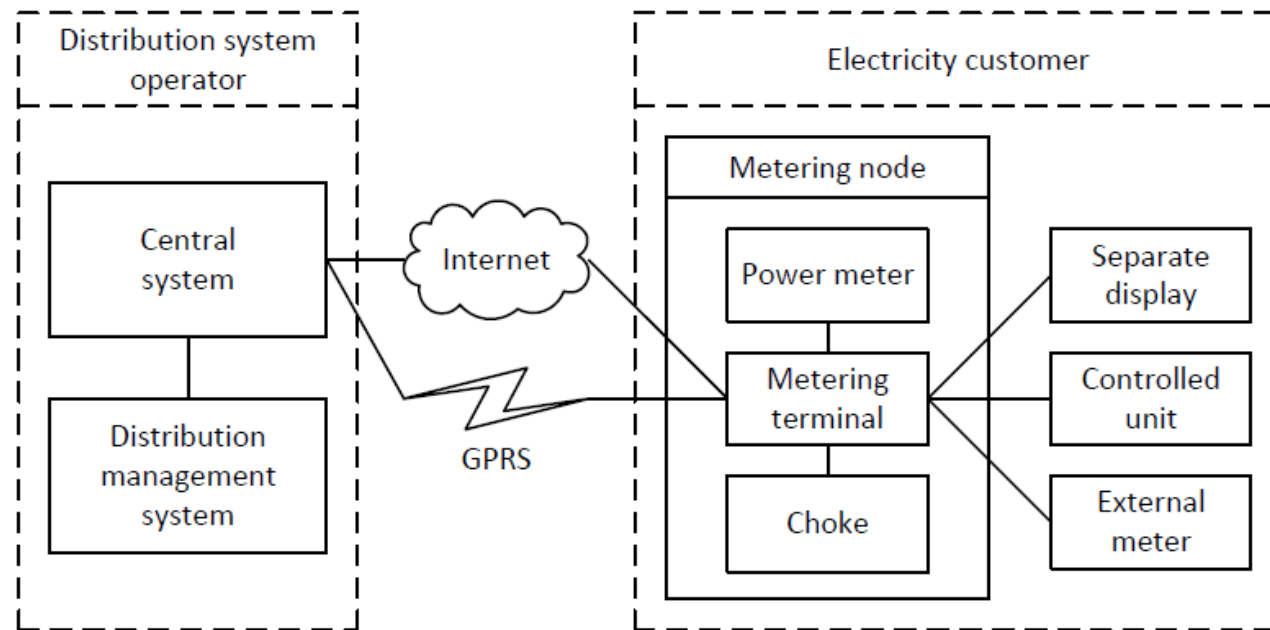


- a) How should the concepts in this drawing below be represented in a sequence diagram?
- b) Use this representation to model a DDOS attack.



- a) Make a sequence diagram for the distribution system operator;
- b) Do the same the electricity customer;
- c) Make a sequence diagram describing an external attack on an electricity customer via the distribution system operator.



- a) Describe the traces of the opt-fragment;
- b) Describe the traces of Authorization;
- c) Describe the traces of GoHomeSetup (assuming that :ServiceBase and ServiceTerminal are merged into one lifeline)

